

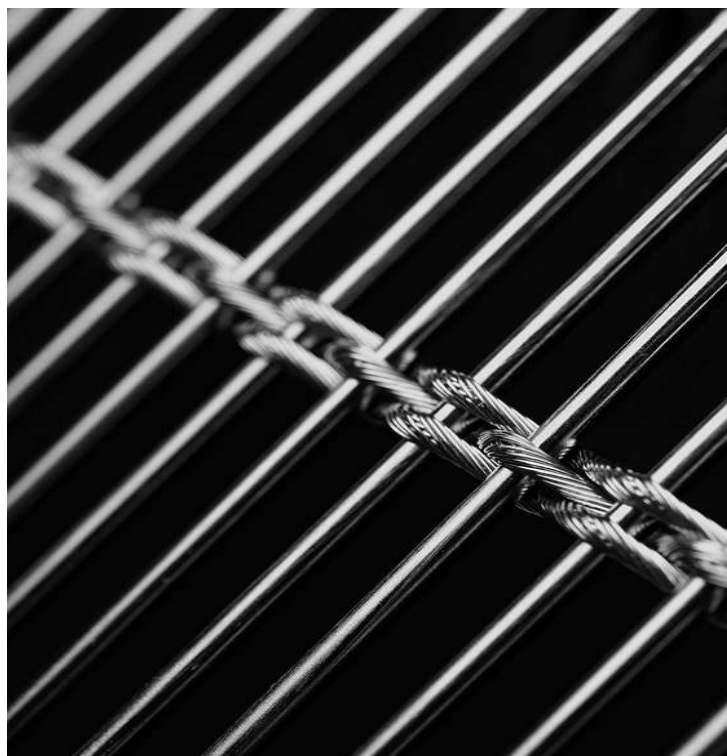


the inox in color

ARCHITECTURAL & DECORATIVE
STAINLESS STEEL

ARCHITECTURAL MESH

Stainless Steel

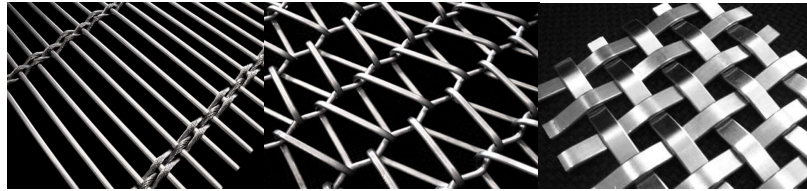


Architectural Mesh

THE INOX IN COLOR®

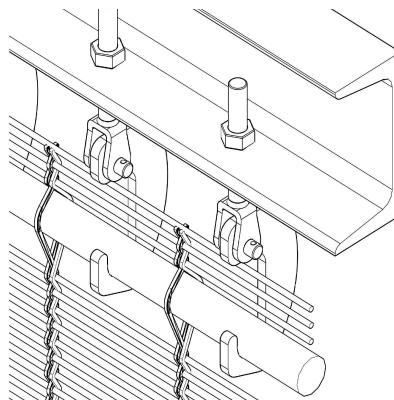
Metallic weaves, flexible and rigid meshes with many available shapes and designs that allow to cover large external surfaces, create virtual interior rooms or generate visual illusions by combining them with light and colors.

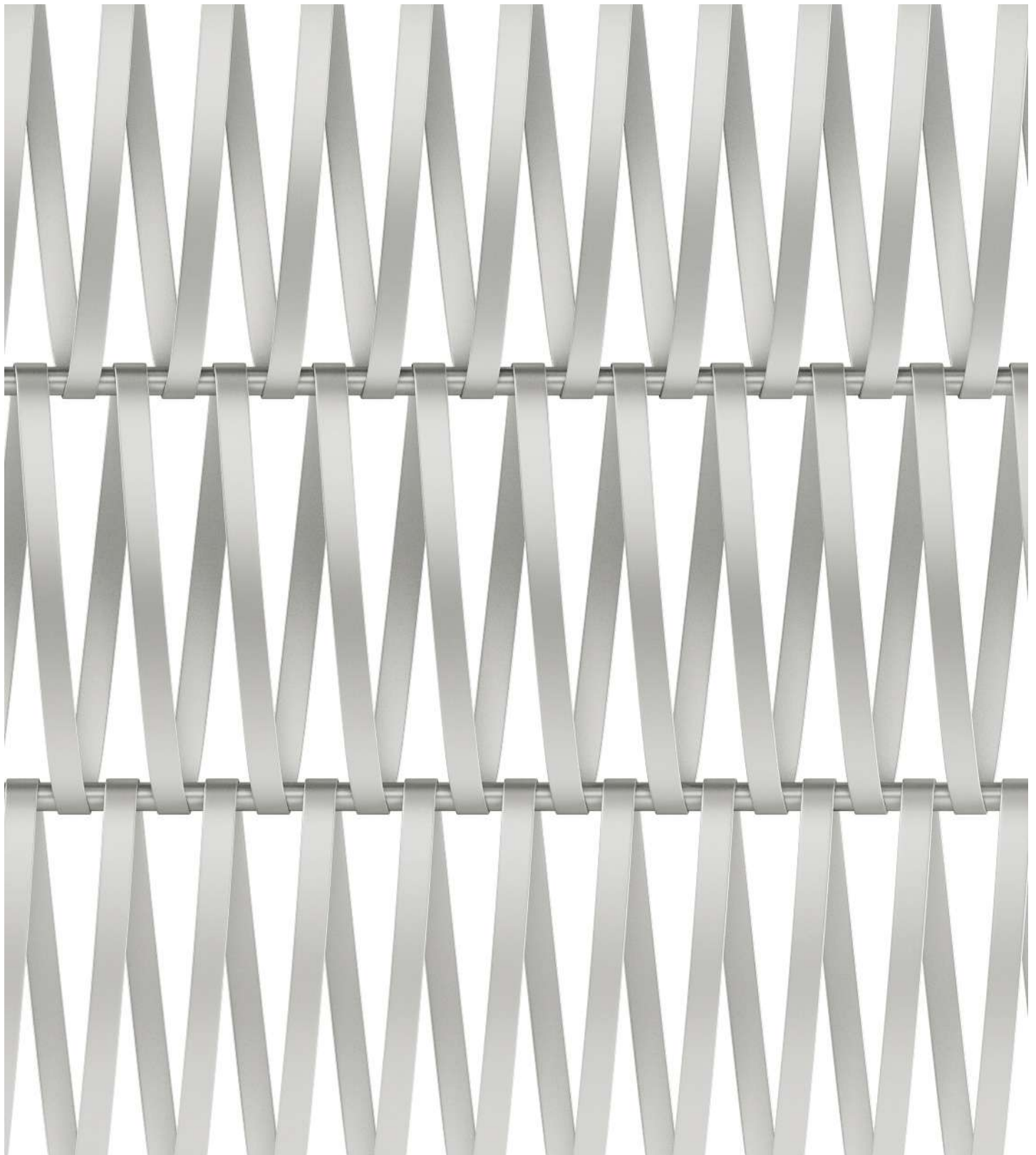
The stainless steel architectural meshes are very versatile both in their applications and in their properties. A large range can be manufactured in the requested characteristics suitable for each project with also the most advisable attachment systems. Outdoor closings for largescale projects that can fulfil both esthetical requirements and functionality in just one material. Indoor wall and column claddings, ceiling systems, space dividers or filter screening or some other typical uses for these materials.



The Inox in Color offers a wide range of Attachment Systems. They are proposed according to the specific characteristics of each Project and its application.

All Attachment Systems must be sized based upon your project requirements. Our Technical Department can work with you adapting our attachment ideas in your projects or developing new attachment techniques to know your specific needs. Each Architectural Mesh can fit with different fixing systems in order to create different spaces for Architecture, Engineering, Interior Design... Our Technical Department will try to advise and solve doubts about your project designs. Consult our qualified specialists for further detailing assistance.





SPIRA-500

Sample shown at full scale.
Measurements are approximate values.
Specifications subject to change.

MATERIAL · STAINLESS STEEL
MESH TYPE · FLEXIBLE
OPEN AREA · 50 %
WEIGHT · 8,9 kg/m²
ROD DIAM. · 7 mm
SPIRAL DIAM. · 7x1 mm
ROD PITCH · 100 mm
SPIRAL PITCH · 20 mm

ATTACHMENT SYSTEMS
SA-2500
SA-3000
SA-5000
SA-5500

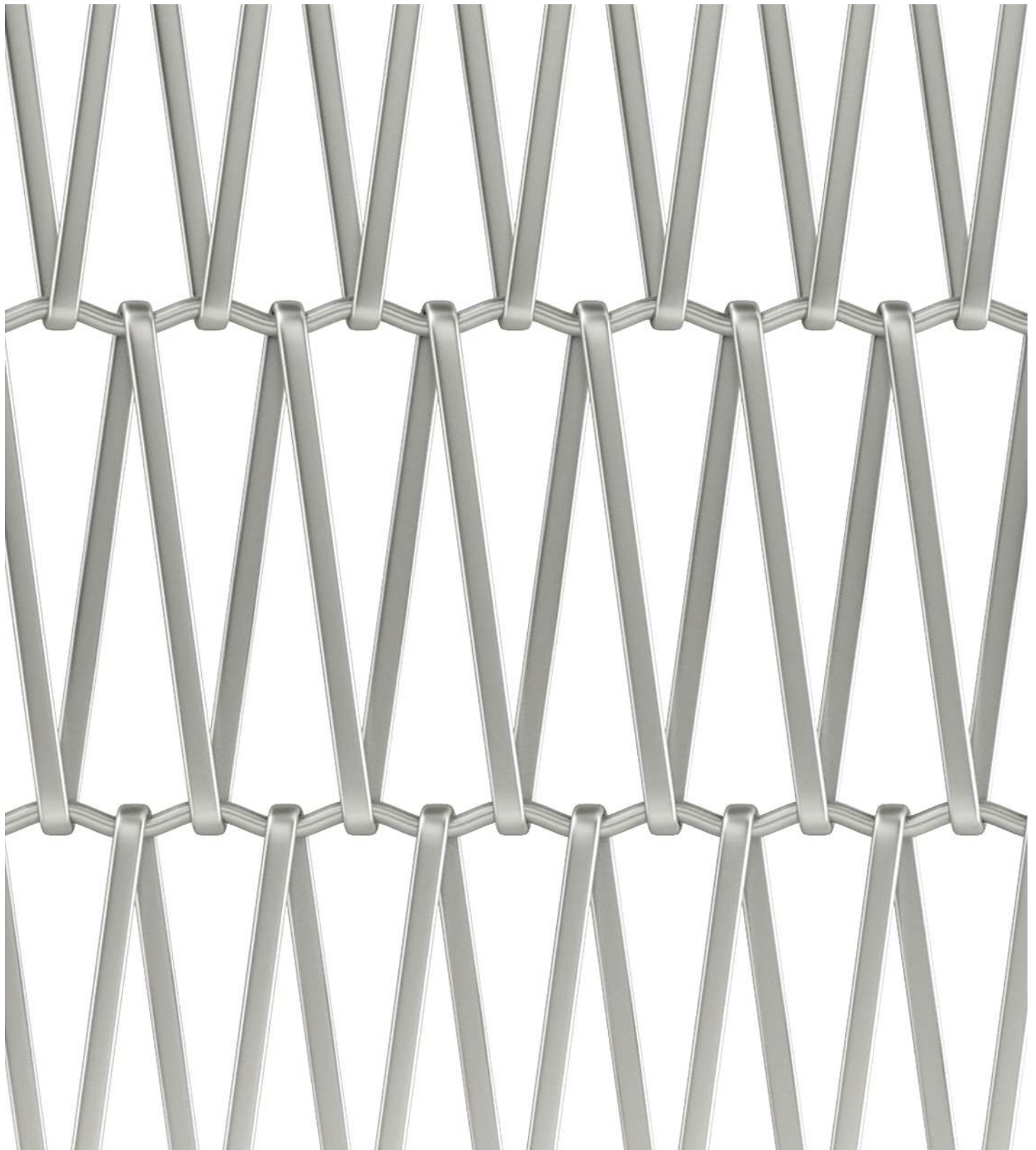
the inox in color

ARCHITECTURAL & DECORATIVE
STAINLESS STEEL

www.theinoxincolor.com
info@theinoxincolor.com

Tel (+34) 93 876 01 15
Fax (+34) 93 876 00 73





SPIRA-550

Sample shown at full scale.
Measurements are approximate values.
Specifications subject to change.

MATERIAL · STAINLESS STEEL
MESH TYPE · FLEXIBLE
OPEN AREA · 55 %
WEIGHT · 11.3 kg/m²
ROD DIAM. · 5 mm
SPIRAL DIAM. · 6x2 mm
ROD PITCH · 95 mm
SPIRAL PITCH · 28 mm

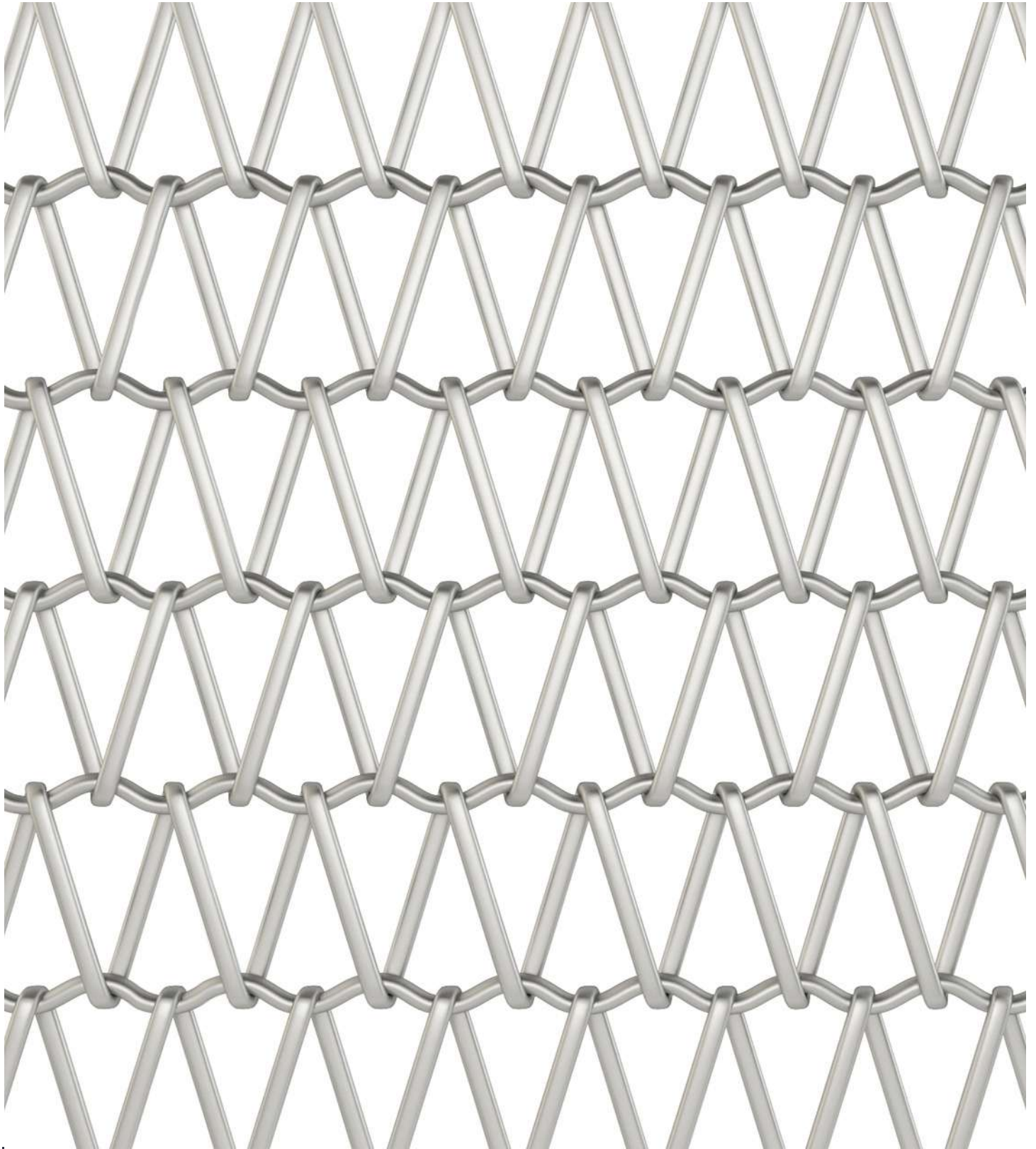
ATTACHMENT SYSTEMS
SA-2500
SA-3000
SA-5000
SA-5500

the inox in color

ARCHITECTURAL & DECORATIVE
STAINLESS STEEL

www.theinoxincolor.com
info@theinoxincolor.com

Tel (+34) 93 876 01 15
Fax (+34) 93 876 00 73



SPIRA-590

Sample shown at full scale.
Measurements are approximate values.
Specifications subject to change.

MATERIAL · STAINLESS STEEL
MESH TYPE · FLEXIBLE
OPEN AREA · 59 %
WEIGHT · 11,4 kg/m²
ROD DIAM. · 3,5 mm
SPIRAL DIAM. · 4x3 mm
ROD PITCH · 37 mm
SPIRAL PITCH · 25 mm

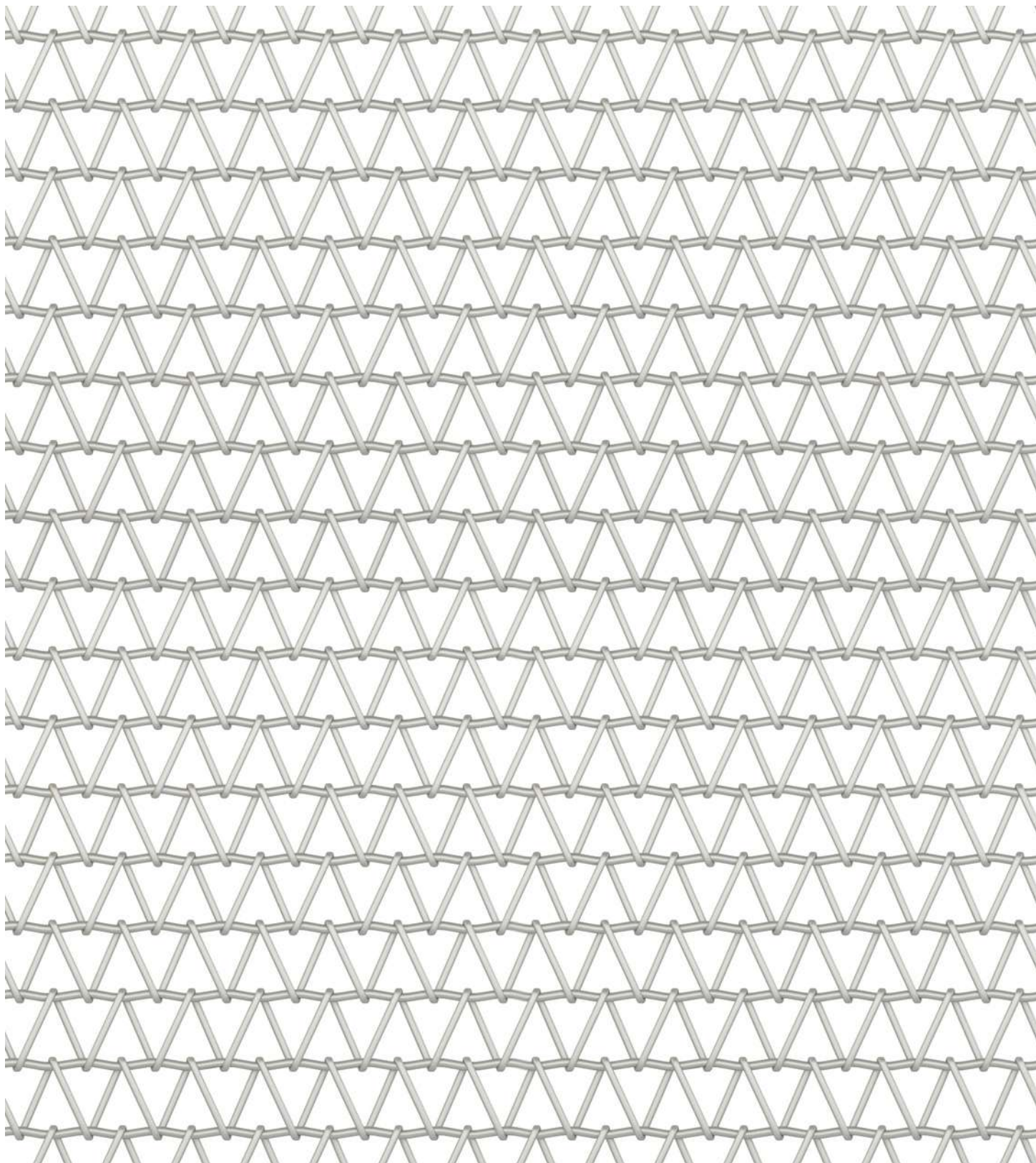
ATTACHMENT SYSTEMS
SA-2500
SA-3000
SA-5000
SA-5500

the inox in color

ARCHITECTURAL & DECORATIVE
STAINLESS STEEL

www.theinoxincolor.com
info@theinoxincolor.com

Tel (+34) 93 876 01 15
Fax (+34) 93 876 00 73



SPIRA-670

Sample shown at full scale.
Measurements are approximate values.
Specifications subject to change.

MATERIAL · STAINLESS STEEL
MESH TYPE · FLEXIBLE
OPEN AREA · 67 %
WEIGHT · 3,2 kg/m²
ROD DIAM. · 1,5 mm
SPIRAL DIAM. · 1,3x1 mm
ROD PITCH · 13 mm
SPIRAL PITCH · 13 mm

ATTACHMENT SYSTEMS
SA-2000
SA-2500
SA-3000
SA-5000
SA-5500

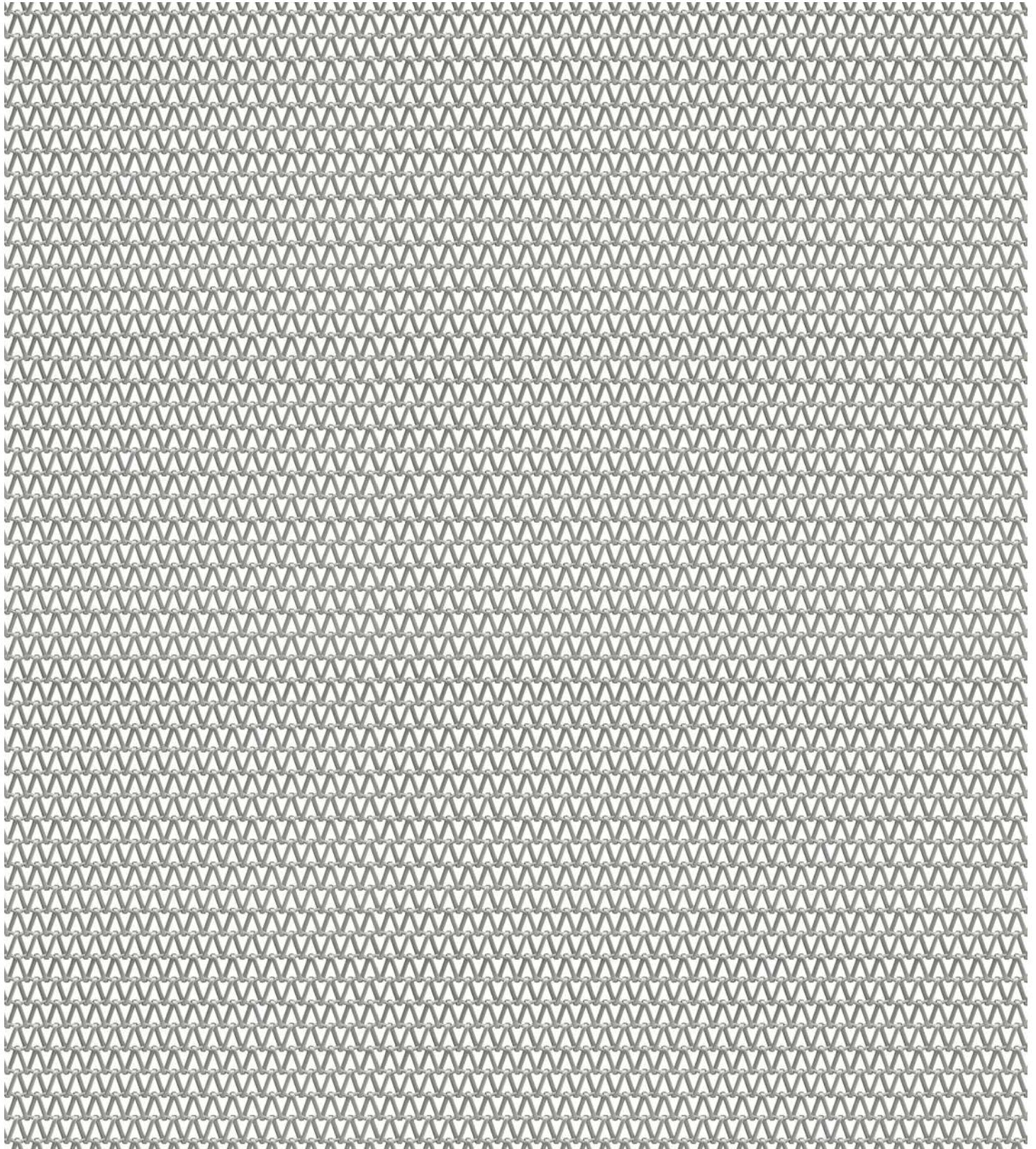
the inox in color

ARCHITECTURAL & DECORATIVE
STAINLESS STEEL

www.theinoxincolor.com
info@theinoxincolor.com

Tel (+34) 93 876 01 15
Fax (+34) 93 876 00 73





SPIRA-370

Sample shown at full scale.
Measurements are approximate values.
Specifications subject to change.

MATERIAL · STAINLESS STEEL
MESH TYPE · FLEXIBLE
OPEN AREA · 37 %
WEIGHT · 7,4 kg/m²
ROD DIAM. · 1 mm
SPIRAL DIAM. · 1x0,8 mm
ROD PITCH · 4 mm
SPIRAL PITCH · 3,5 mm

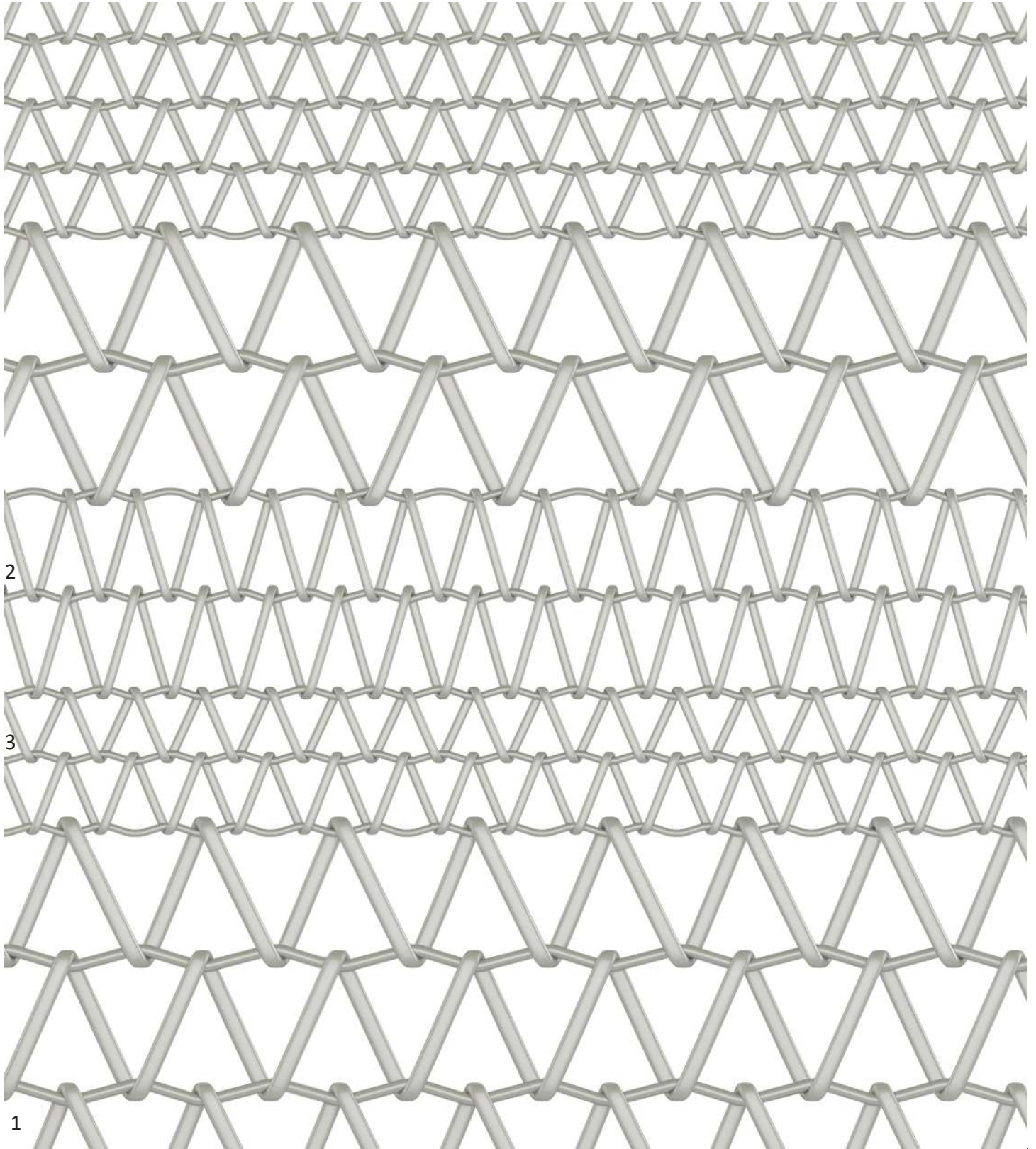
ATTACHMENT SYSTEMS
SA-2000
SA-5000

the inox in color 

ARCHITECTURAL & DECORATIVE
STAINLESS STEEL

www.theinoxincolor.com
info@theinoxincolor.com

Tel (+34) 93 876 01 15
Fax (+34) 93 876 00 73



SPIRA-MIX

Sample shown at full scale.
Measurements are approximate values.
Specifications subject to change.

MATERIAL · STAINLESS STEEL
MESH TYPE · FLEXIBLE
OPEN AREA · 73 %
WEIGHT · 3,8 kg/m²
ROD DIAM. · Mesh 1: 2,5 mm
Mesh 2/3: 1,5 mm
SPIRAL DIAM. · Mesh 1: 2,5 x 2 mm
Mesh 2/3: 2 x 1,8 mm
ROD PITCH · Mesh 1: 25 mm
Mesh 2: 18,75 mm
Mesh 3: 12,5 mm

SPIRAL PITCH · Mesh 1: 25 mm
Mesh 2/3: 12,5 mm

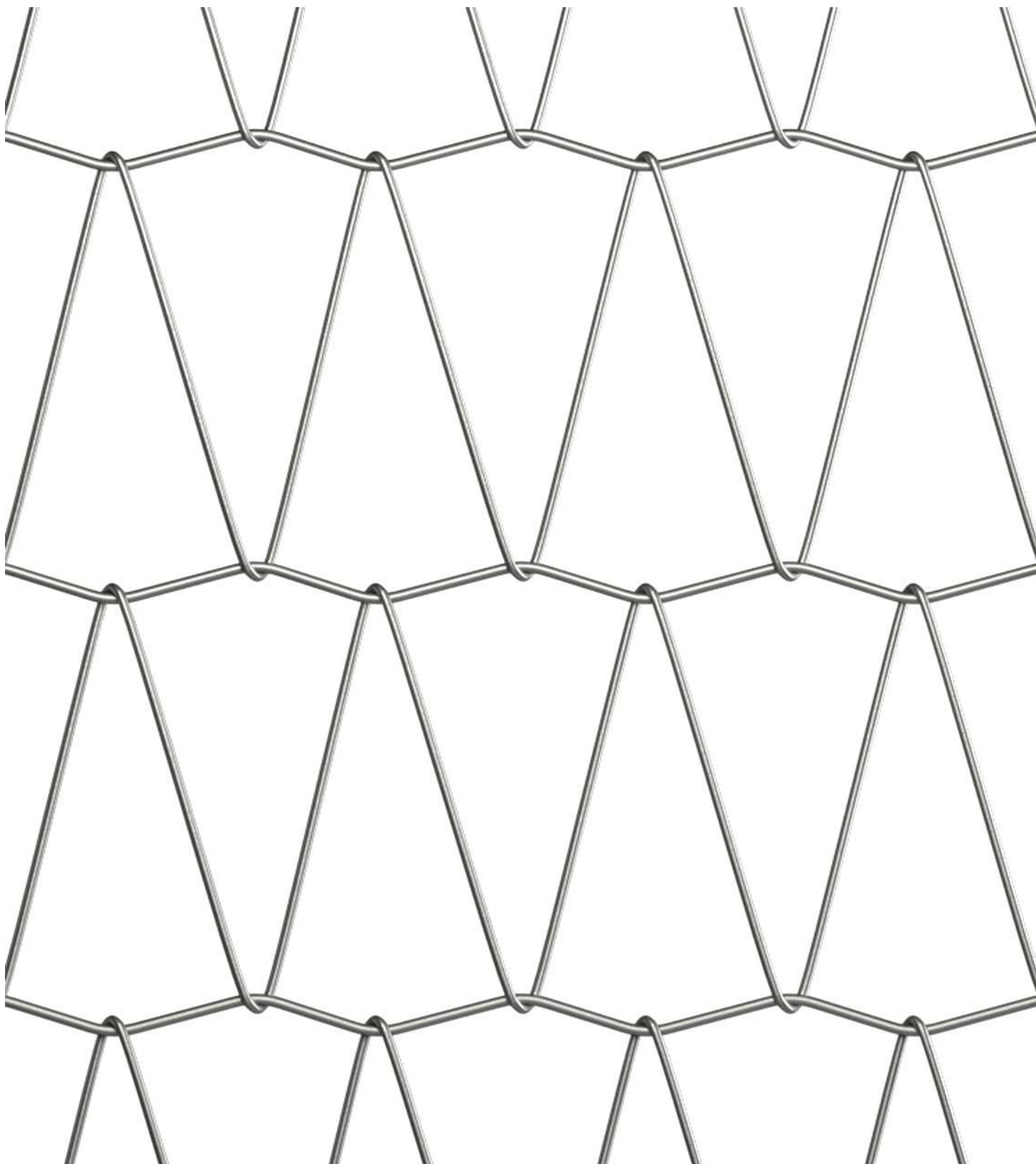
ATTACHMENT SYSTEMS
SA-2000
SA-3500
SA-3000
SA-5000
SA-5500

the inox in color

ARCHITECTURAL & DECORATIVE
STAINLESS STEEL

www.theinoxincolor.com
info@theinoxincolor.com

Tel (+34) 93 876 01 15
Fax (+34) 93 876 00 73



SPIRA-8050

Sample shown at full scale.
Measurements are approximate values.
Specifications subject to change.

MATERIAL · STAINLESS STEEL
MESH TYPE · FLEXIBLE
OPEN AREA · 92 %
WEIGHT · 1,6 kg/m²
ROD DIAM. · 2 mm
SPIRAL DIAM. · 1,8 mm
ROD PITCH · 80 mm
SPIRAL PITCH · 50 mm

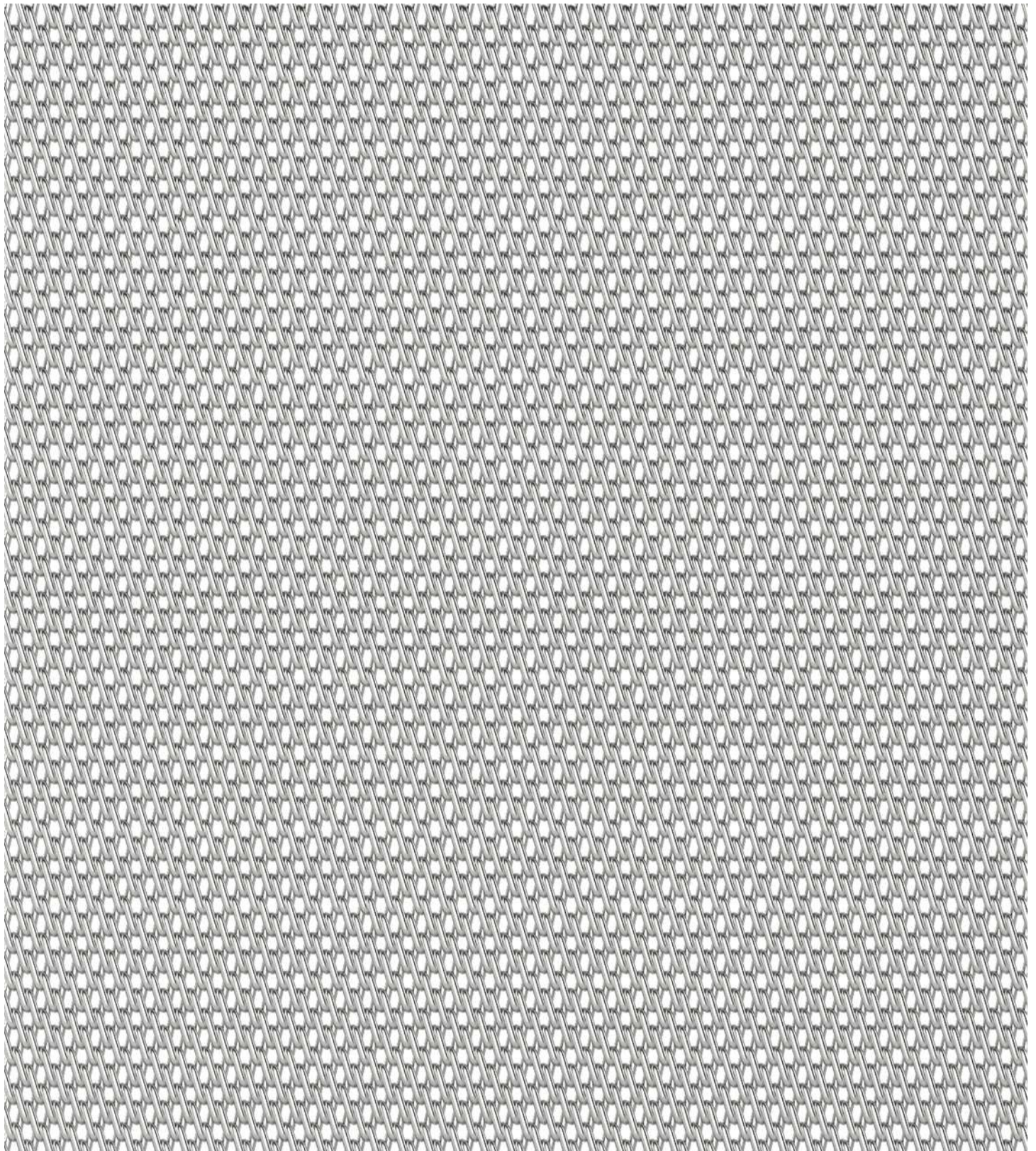
ATTACHMENT SYSTEMS
SA-2500
SA-3000
SA-5000
SA-5500

the inox in color

ARCHITECTURAL & DECORATIVE
STAINLESS STEEL

www.theinoxincolor.com
info@theinoxincolor.com

Tel (+34) 93 876 01 15
Fax (+34) 93 876 00 73



MITHRIL

Sample shown at full scale.
Measurements are approximate values.
Specifications subject to change.

MATERIAL · STAINLESS STEEL
MESH TYPE · FLEXIBLE
OPEN AREA · 53 %
WEIGHT · 11,8 kg/m²
SPIRAL DIAM. · 1,5 mm
SPIRAL PITCH · 5 mm

ATTACHMENT SYSTEMS
SA-2000
SA-5000

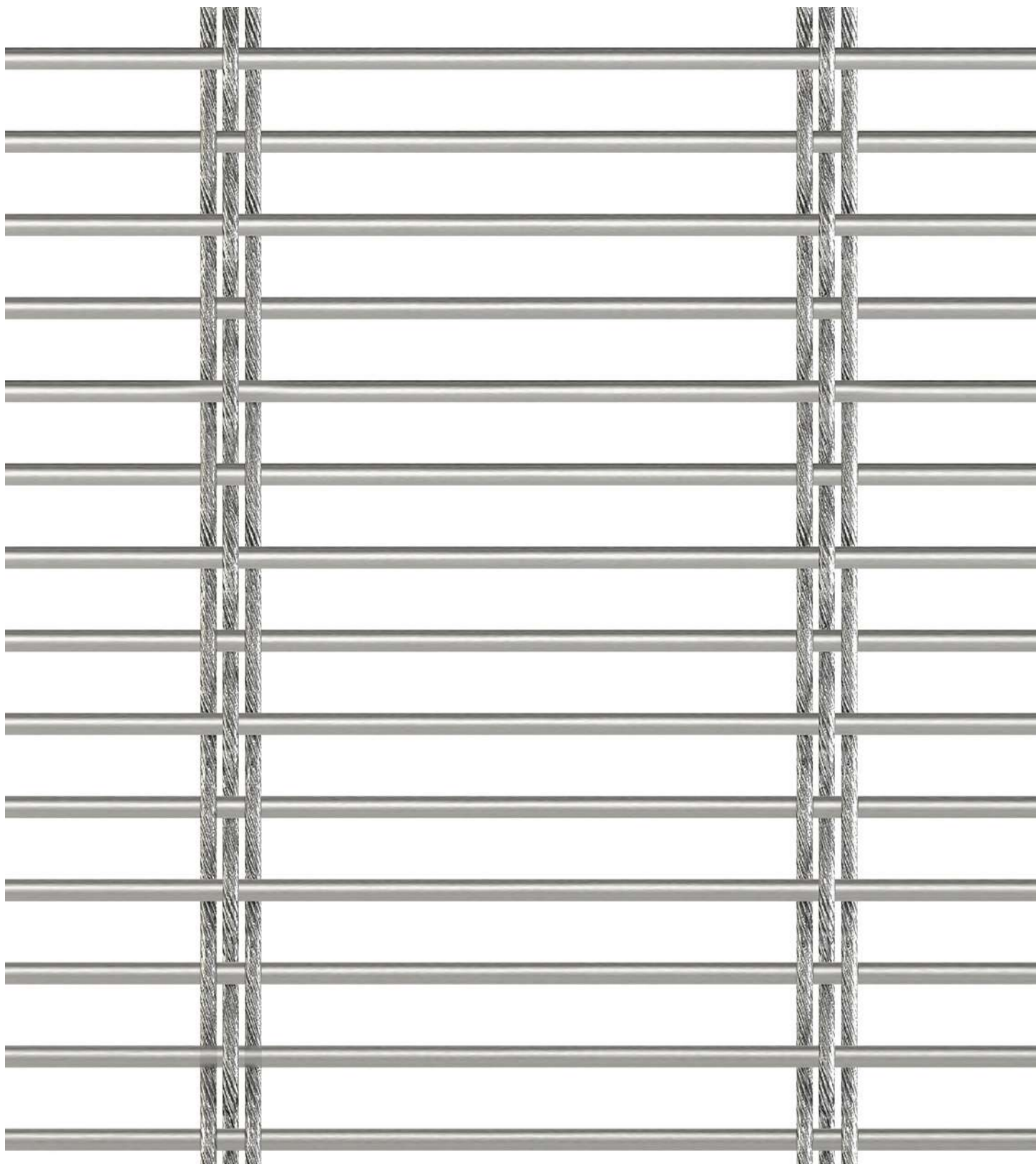
the inox in color

ARCHITECTURAL & DECORATIVE
STAINLESS STEEL

www.theinoxincolor.com
info@theinoxincolor.com

Tel (+34) 93 876 01 15
Fax (+34) 93 876 00 73





WEBER-650

Sample shown at full scale.
Measurements are approximate values.
Specifications subject to change.

MATERIAL · STAINLESS STEEL
MESH TYPE · FLEXIBLE
OPEN AREA · 65 %
WEIGHT · 8,7 kg/m²
ROD DIAM. · 4 mm
DIAM. CABLE · 3x3 mm
WEFT WIRE PITCH · 15 mm
CABLE PITCH · 110 mm

ATTACHMENT SYSTEMS
SA-1000
SA-1500
SA-2000
SA-3500
SA-4000
SA-4500

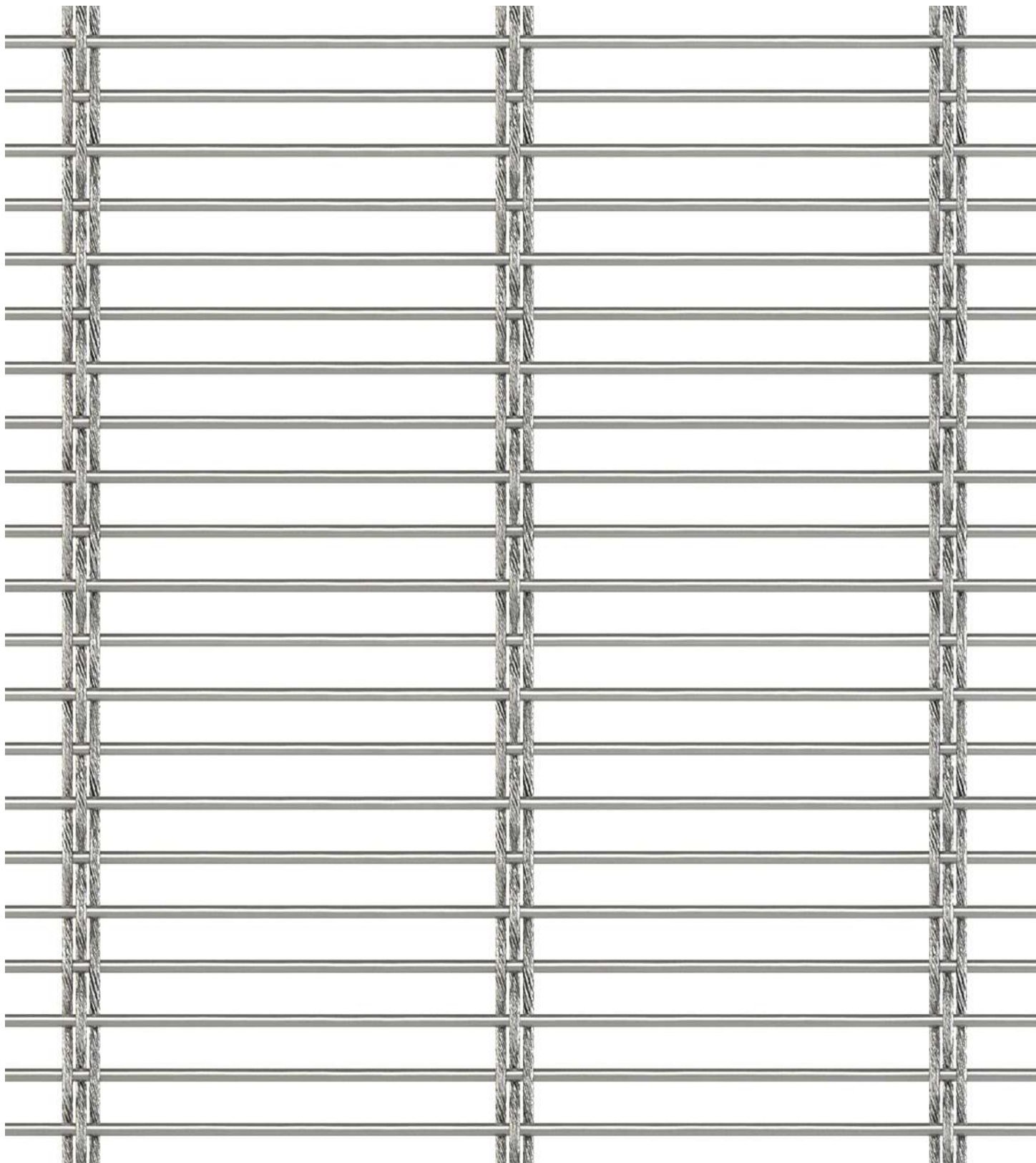
the inox in color

ARCHITECTURAL & DECORATIVE
STAINLESS STEEL

www.theinoxincolor.com
info@theinoxincolor.com

Tel (+34) 93 876 01 15
Fax (+34) 93 876 00 73





WEBER-620

Sample shown at full scale.
Measurements are approximate values.
Specifications subject to change.

MATERIAL · STAINLESS STEEL
MESH TYPE · FLEXIBLE
OPEN AREA · 62,1 %
WEIGHT · 6 kg/m²
ROD DIAM. · 3 mm
DIAM. CABLE · 3x2 mm
WEFT WIRE PITCH · 10 mm
CABLE PITCH · 80 mm

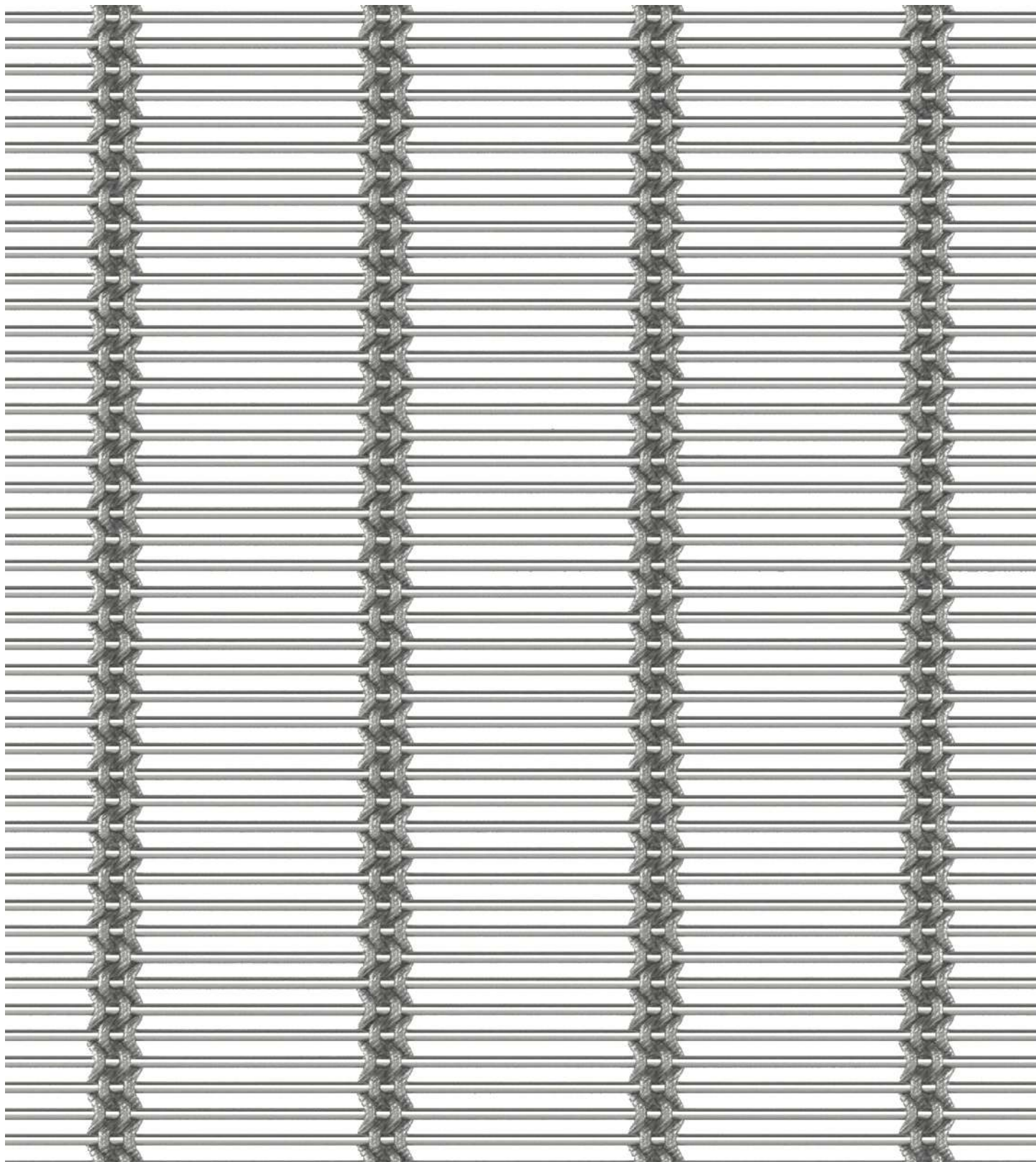
ATTACHMENT SYSTEMS
SA-1000
SA-1500
SA-2000
SA-3500
SA-4000
SA-4500

the inox in color 

ARCHITECTURAL & DECORATIVE
STAINLESS STEEL

www.theinoxincolor.com
info@theinoxincolor.com

Tel (+34) 93 876 01 15
Fax (+34) 93 876 00 73



WEBER-400

Sample shown at full scale.
Measurements are approximate values.
Specifications subject to change.

MATERIAL · STAINLESS STEEL
MESH TYPE · FLEXIBLE
OPEN AREA · 40 %
WEIGHT · 11,2 kg/m²
ROD DIAM. · 3 mm
DIAM. CABLE · 4 x 2 mm
WEFT WIRE PITCH · 6 mm
CABLE PITCH · 50 mm

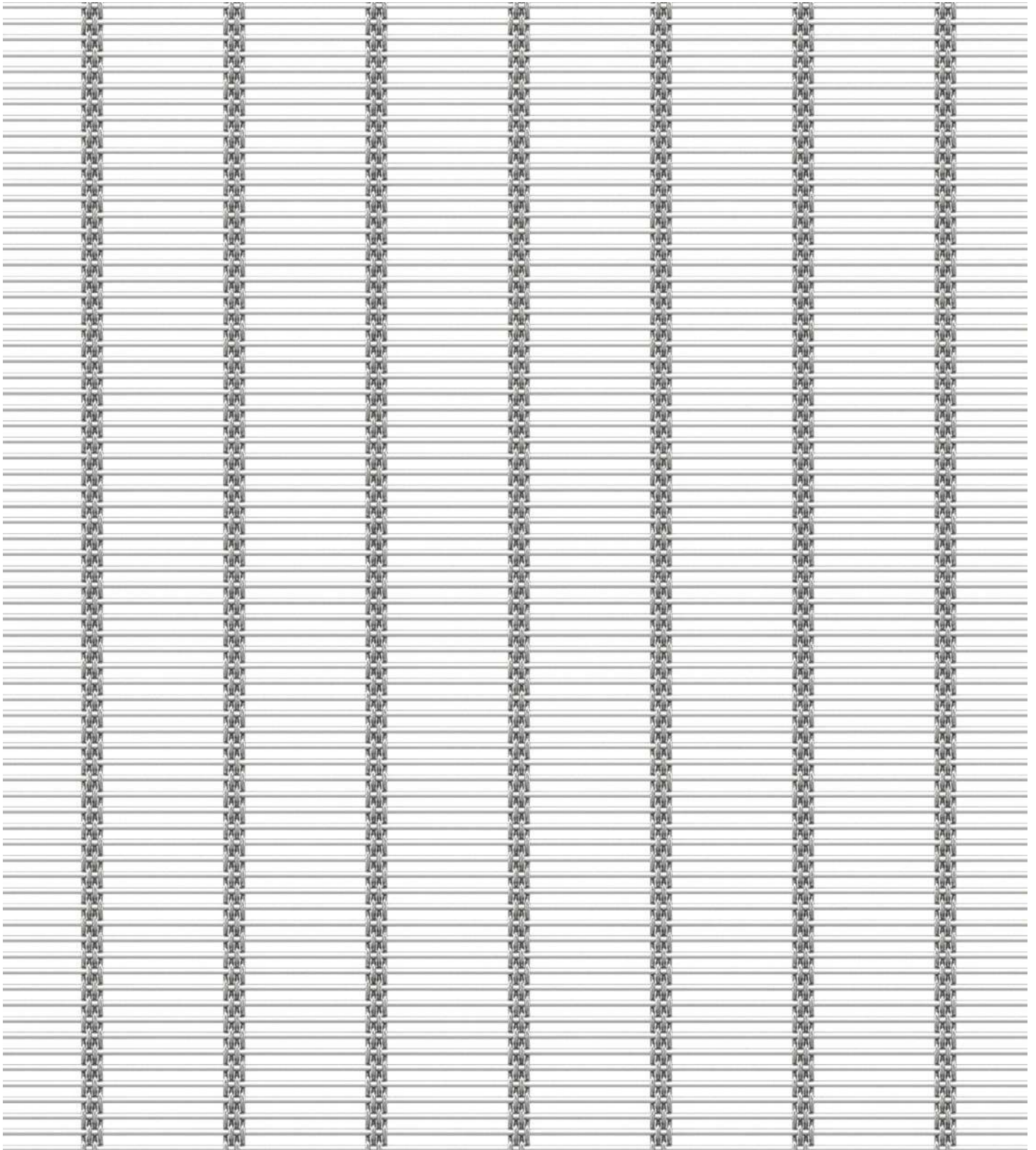
ATTACHMENT SYSTEMS
SA-1000
SA-1500
SA-2000
SA-3500
SA-4000
SA-4500

the inox in color 

ARCHITECTURAL & DECORATIVE
STAINLESS STEEL

www.theinoxincolor.com
info@theinoxincolor.com

Tel (+34) 93 876 01 15
Fax (+34) 93 876 00 73



WEBER-440

Sample shown at full scale.
Measurements are approximate values.
Specifications subject to change.

MATERIAL · STAINLESS STEEL
MESH TYPE · FLEXIBLE
OPEN AREA · 44 %
WEIGHT · 5,2 kg/m²
ROD DIAM. · 1,5 mm
DIAM. CABLE · 4x0,75 mm
WEFT WIRE PITCH · 3 mm
CABLE PITCH · 26,4 mm

ATTACHMENT SYSTEMS
SA-1000
SA-1500
SA-2000
SA-3500
SA-4000
SA-4500

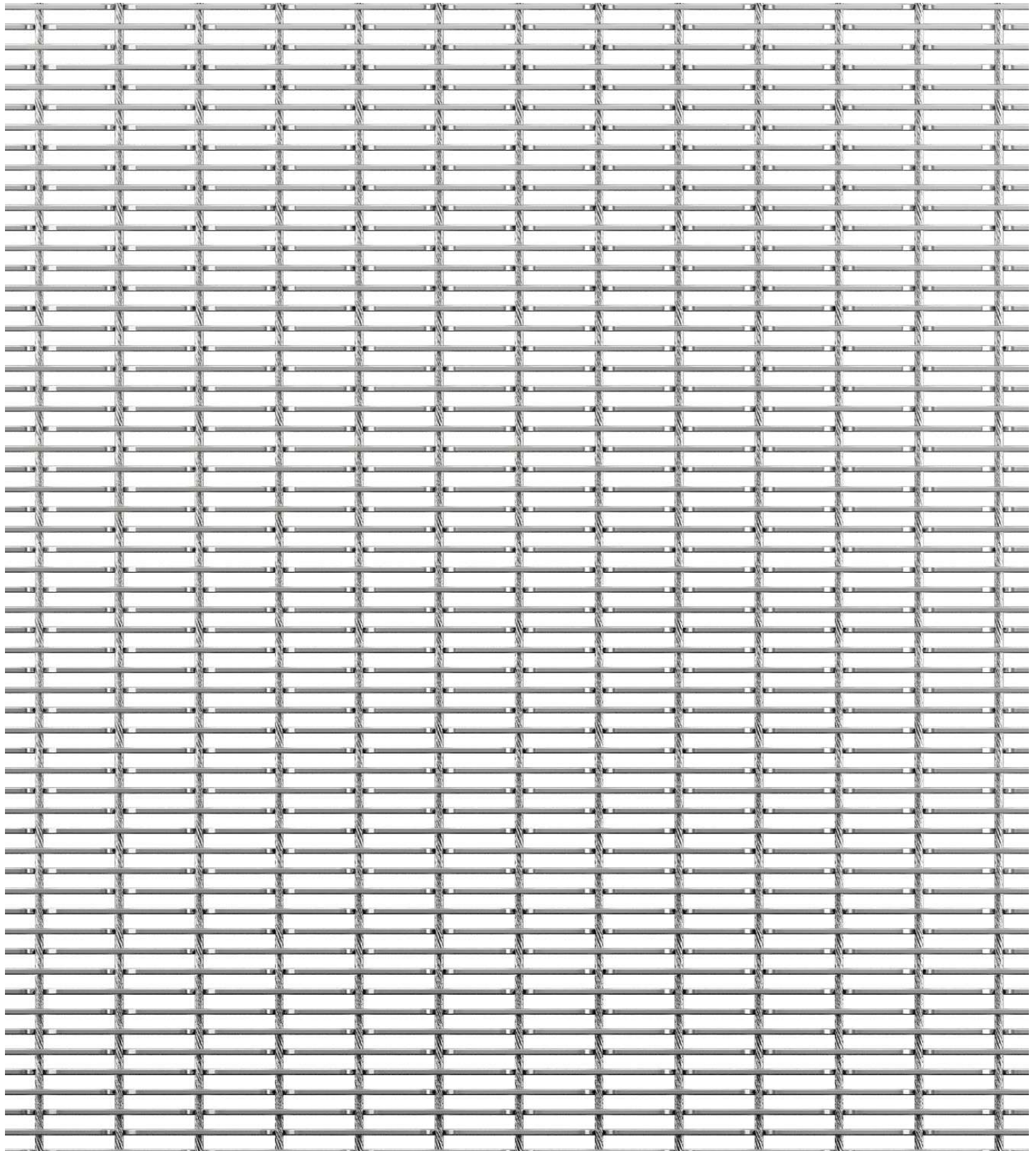
the inox in color

ARCHITECTURAL & DECORATIVE
STAINLESS STEEL

www.theinoxincolor.com
info@theinoxincolor.com

Tel (+34) 93 876 01 15
Fax (+34) 93 876 00 73





WEBER-510

Sample shown at full scale.
Measurements are approximate values.
Specifications subject to change.

MATERIAL · STAINLESS STEEL
MESH TYPE · FLEXIBLE
OPEN AREA · 50,6 %
WEIGHT · 5,2 kg/m²
ROD DIAM. · 1,5 mm
DIAM. CABLE · 2 mm
WEFT WIRE PITCH · 3,5 mm
CABLE PITCH · 17,5 mm

ATTACHMENT SYSTEMS
SA-1000
SA-1500
SA-2000
SA-3500
SA-4000
SA-4500

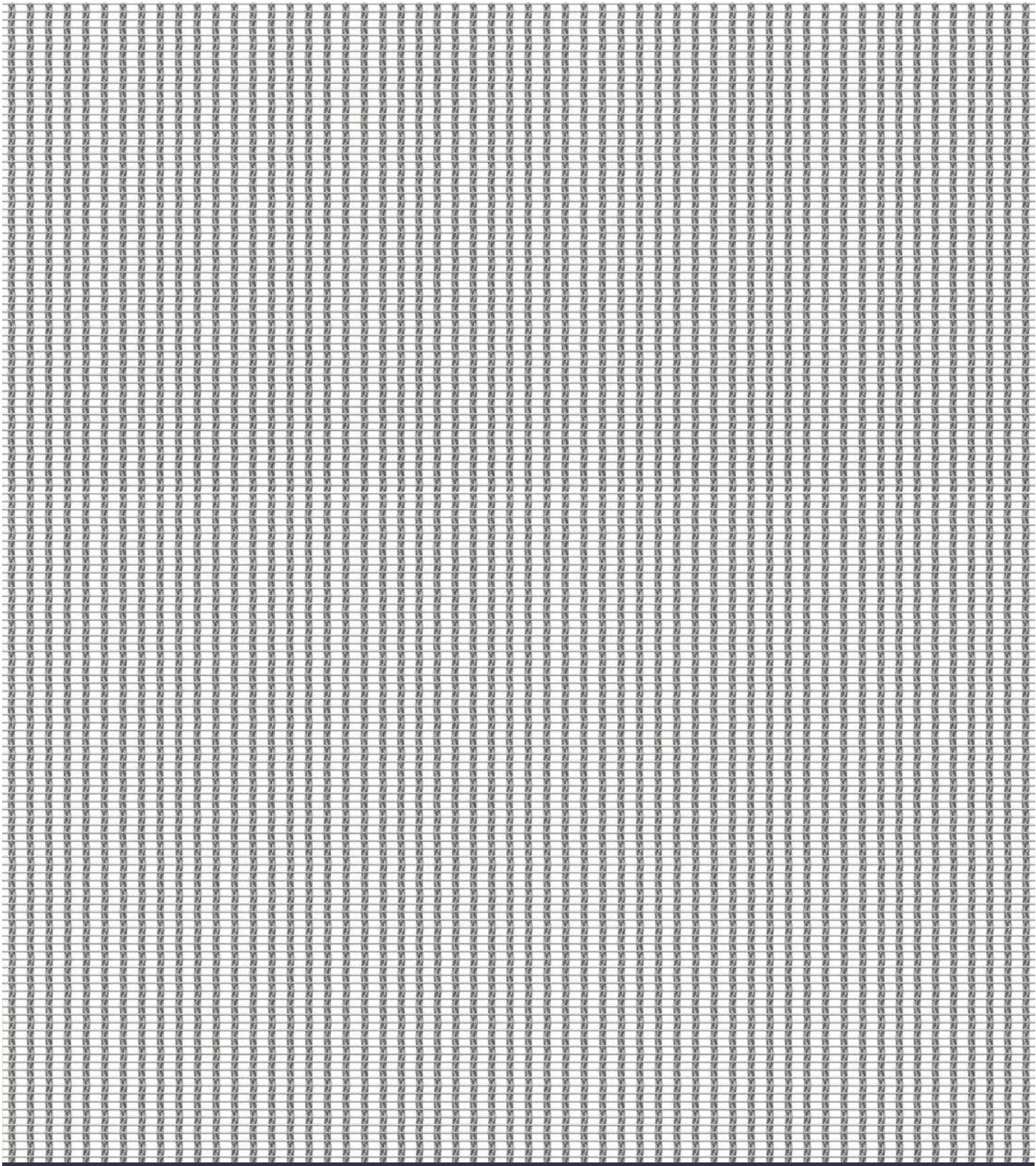
the inox in color

ARCHITECTURAL & DECORATIVE
STAINLESS STEEL

www.theinoxincolor.com
info@theinoxincolor.com

Tel (+34) 93 876 01 15
Fax (+34) 93 876 00 73





TEX-S1

Sample shown at full scale.
Measurements are approximate values.
Specifications subject to change.

MATERIAL · STAINLESS STEEL
MESH TYPE · FLEXIBLE
OPEN AREA · 37,2 %
WEIGHT · 2,4 kg/m²
ROD DIAM. · 0,5 mm
DIAM. CABLES · 3 x 0,5 mm
WEFT WIRE PITCH · 1,4 mm
CABLE PITCH · 3,5 mm

ATTACHMENT SYSTEMS
SA-2000
SA-4000
SA-4500

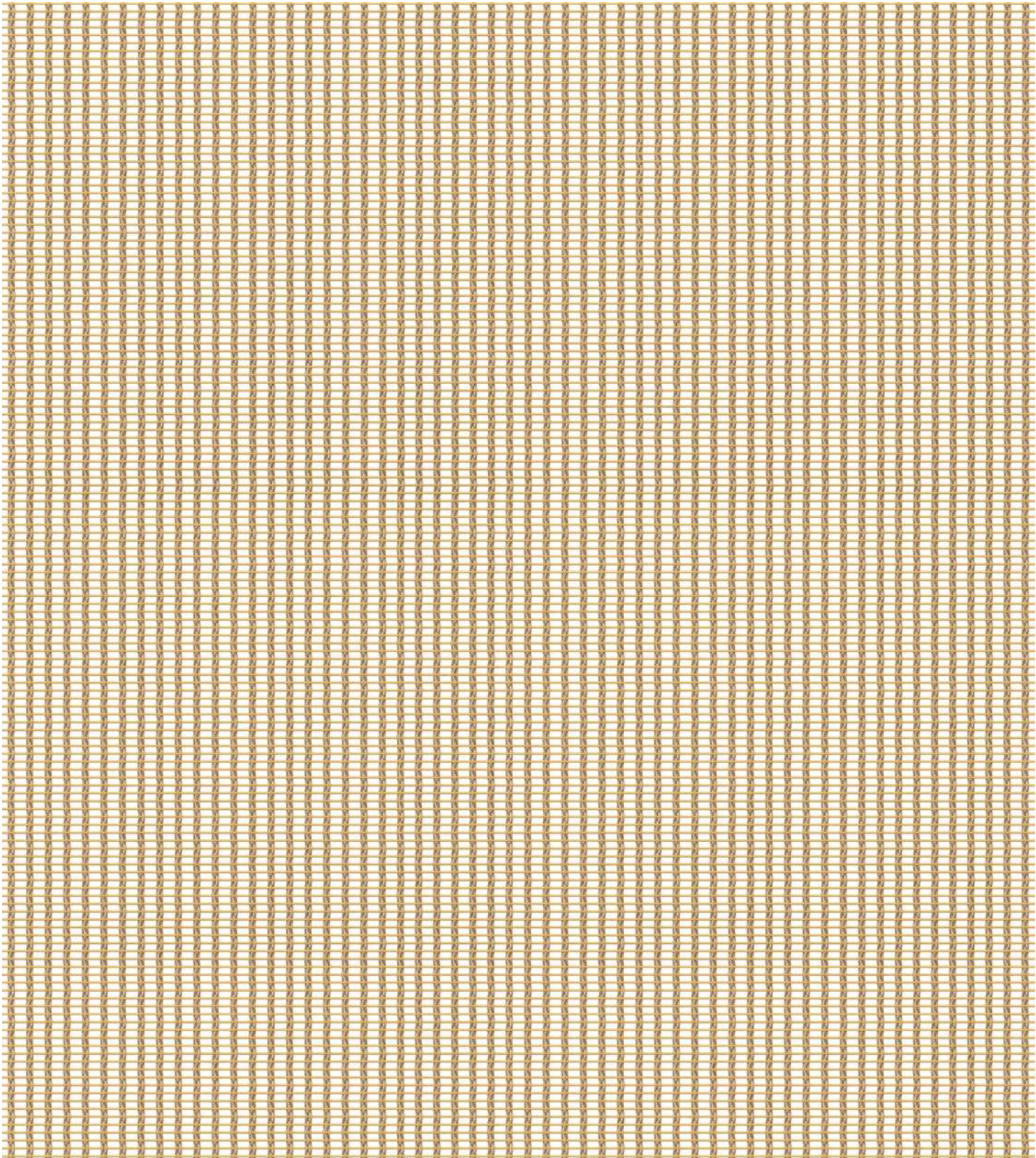
the inox in color

ARCHITECTURAL & DECORATIVE
STAINLESS STEEL

www.theinoxincolor.com
info@theinoxincolor.com

Tel (+34) 93 876 01 15
Fax (+34) 93 876 00 73





TEX-S2

Sample shown at full scale.
Measurements are approximate values.
Specifications subject to change.

MATERIAL · BRONZE
MESH TYPE · FLEXIBLE
OPEN AREA · 37,2 %
WEIGHT · 2,4 kg/m²
ROD DIAM. · 0,5 mm
DIAM. CABLES · 3 x 0,5 mm
WEFT WIRE PITCH · 1,4 mm
CABLE PITCH · 3,5 mm

ATTACHMENT SYSTEMS
SA-2000
SA-4000
SA-4500

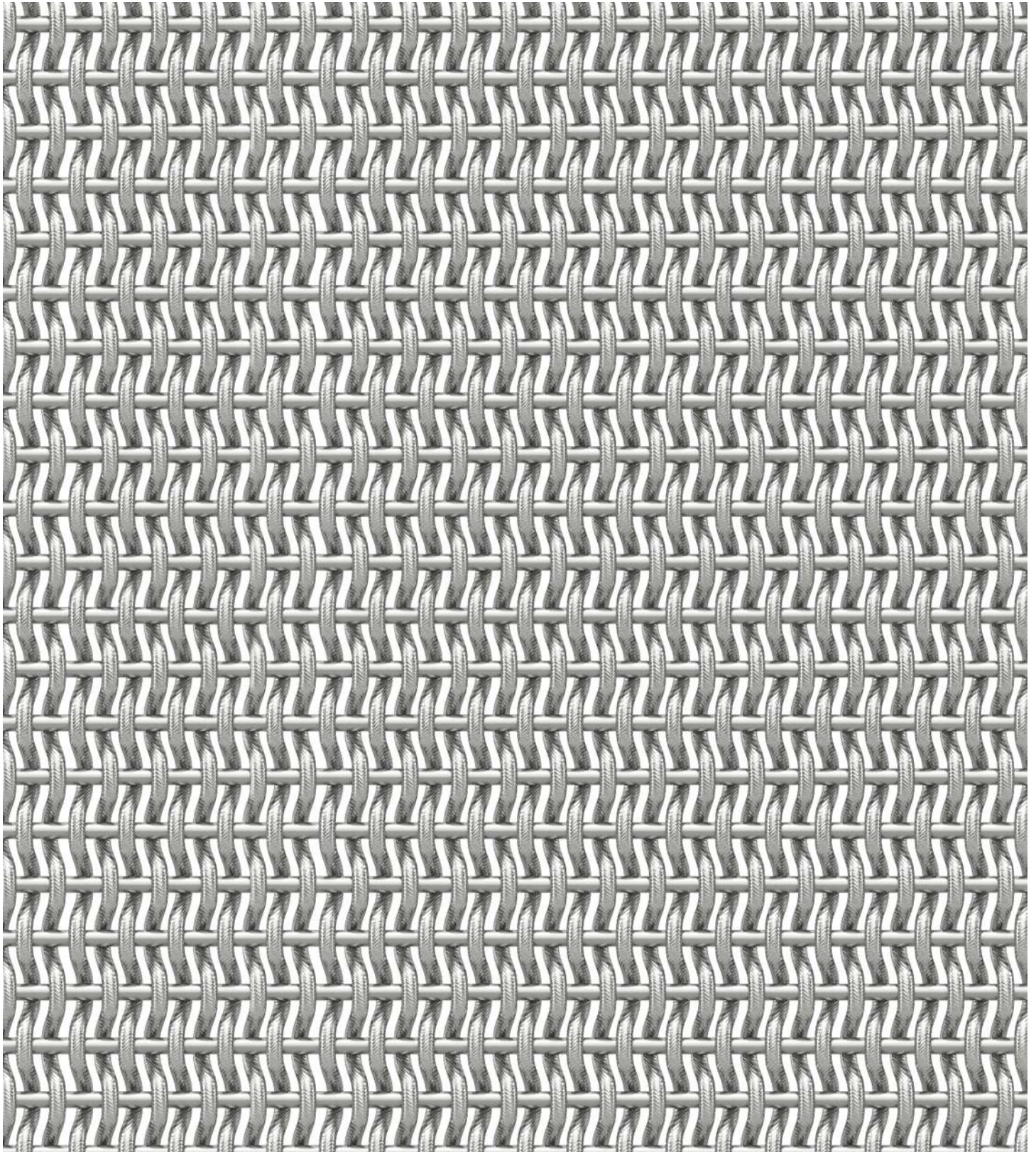
the inox in color

ARCHITECTURAL & DECORATIVE
STAINLESS STEEL

www.theinoxincolor.com
info@theinoxincolor.com

Tel (+34) 93 876 01 15
Fax (+34) 93 876 00 73





KBEL-210

Sample shown at full scale.
Measurements are approximate values.
Specifications subject to change.

MATERIAL · STAINLESS STEEL
MESH TYPE · FLEXIBLE
OPEN AREA · 21 %
WEIGHT · 14,8 kg/m²
ROD DIAM. · 3 mm
DIAM. CABLES · 3 mm
WEFT WIRE PITCH · 10 mm
CABLE PITCH · 5 mm

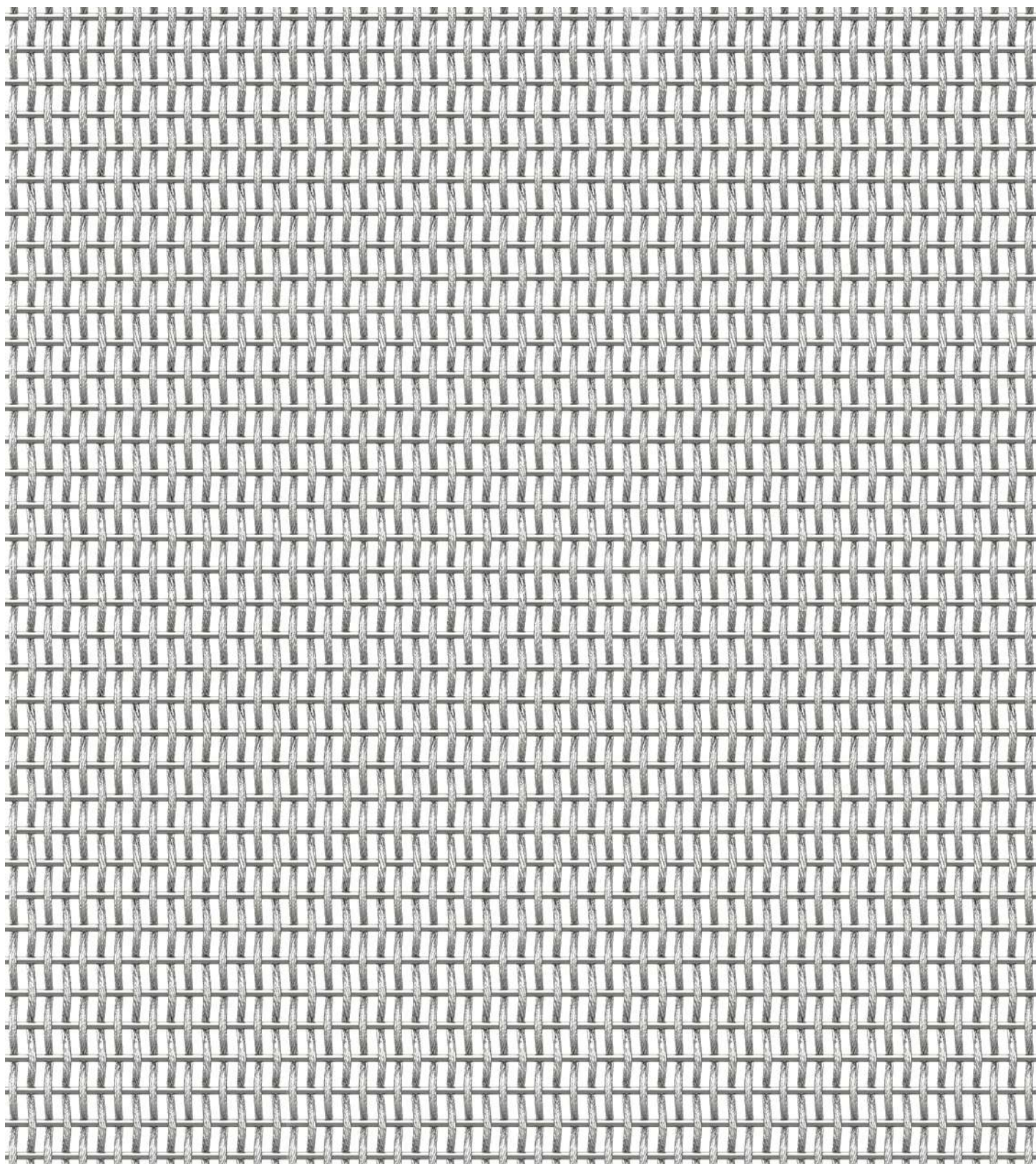
ATTACHMENT SYSTEMS
SA-2000
SA-4000
SA-4500

the inox in color 

ARCHITECTURAL & DECORATIVE
STAINLESS STEEL

www.theinoxincolor.com
info@theinoxincolor.com

Tel (+34) 93 876 01 15
Fax (+34) 93 876 00 73



KBEL-320

Sample shown at full scale.
Measurements are approximate values.
Specifications subject to change.

MATERIAL · STAINLESS STEEL
MESH TYPE · FLEXIBLE
OPEN AREA · 31,7 %
WEIGHT · 5,2 kg/m²
ROD DIAM. · 1,75x0,6 mm (sempi plana)
DIAM. CABLES · 1,8mm
WEFT WIRE PITCH · 6 mm
CABLE PITCH · 3,2mm

ATTACHMENT SYSTEMS
SA-2000
SA-4000
SA-4500

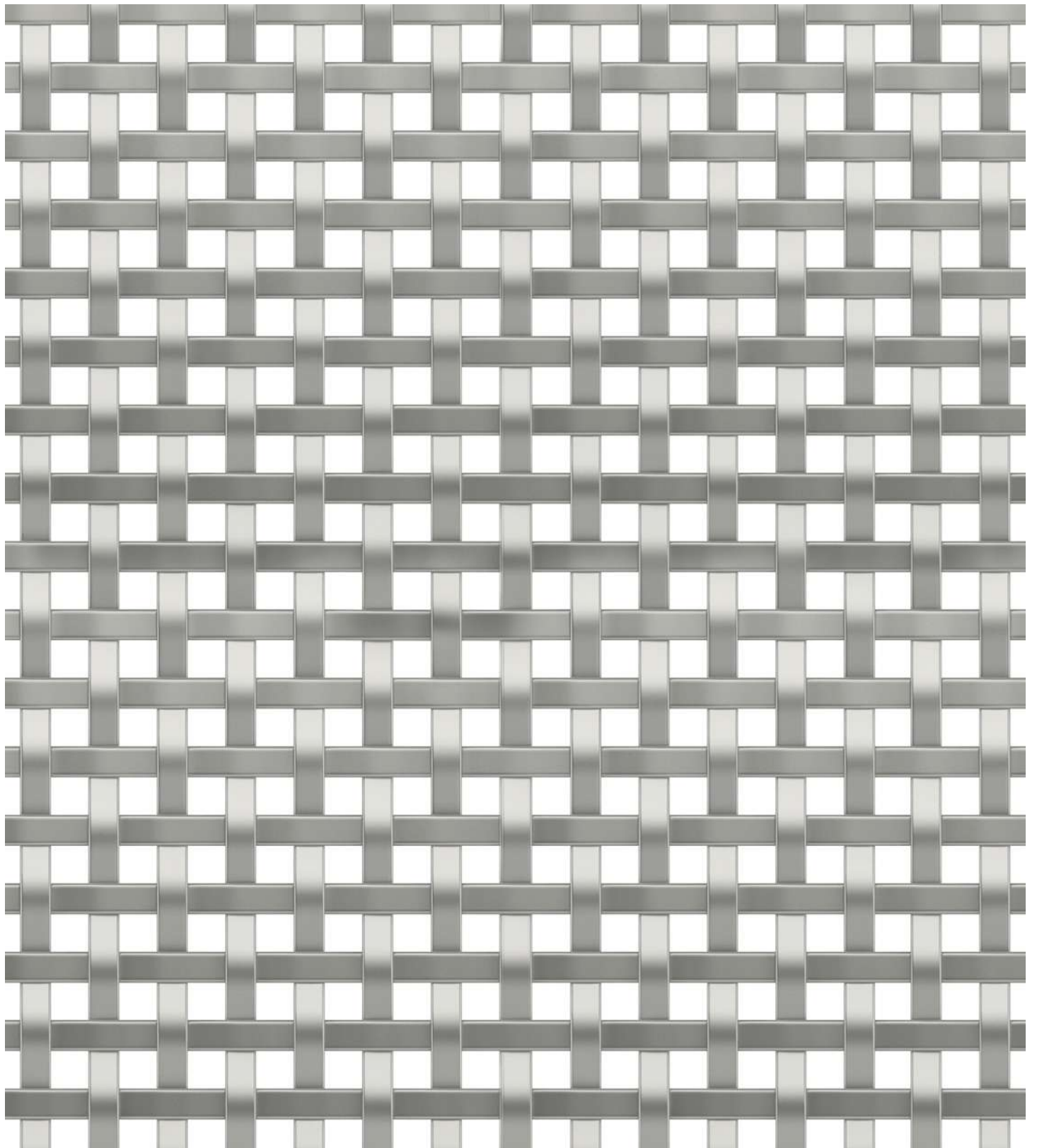
the inox in color

ARCHITECTURAL & DECORATIVE
STAINLESS STEEL

www.theinoxincolor.com
info@theinoxincolor.com

Tel (+34) 93 876 01 15
Fax (+34) 93 876 00 73





CHES-250

Sample shown at full scale.
Measurements are approximate values.
Specifications subject to change.

MATERIAL · STAINLESS STEEL
MESH TYPE · RIGID
OPEN AREA · 25 %
WEIGHT · 12,20 kg/m²
FLAT STRIP · 6x1,6 mm
WEFT WIRE PITCH · 12 mm

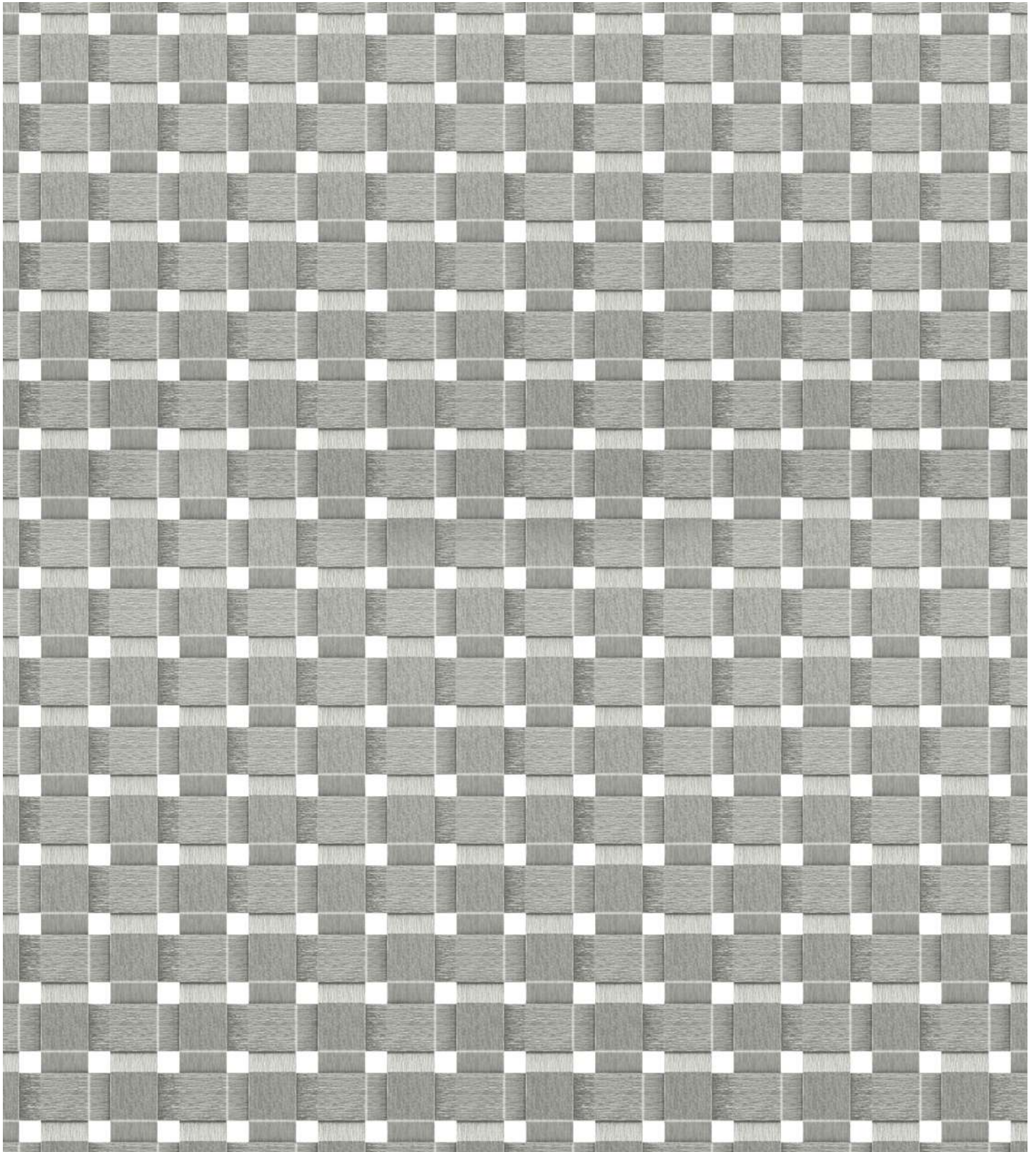
ATTACHMENT SYSTEMS
SA-4000
SA-4500

the inox in color 

ARCHITECTURAL & DECORATIVE
STAINLESS STEEL

www.theinoxincolor.com
info@theinoxincolor.com

Tel (+34) 93 876 01 15
Fax (+34) 93 876 00 73



CHES-100

Sample shown at full scale.
Measurements are approximate values.
Specifications subject to change.

MATERIAL · STAINLESS STEEL
MESH TYPE · RIGID
OPEN AREA · 10 %
WEIGHT · 19,04 kg/m²
FLAT STRIP · 9x1 mm
WEFT WIRE PITCH · 12 mm

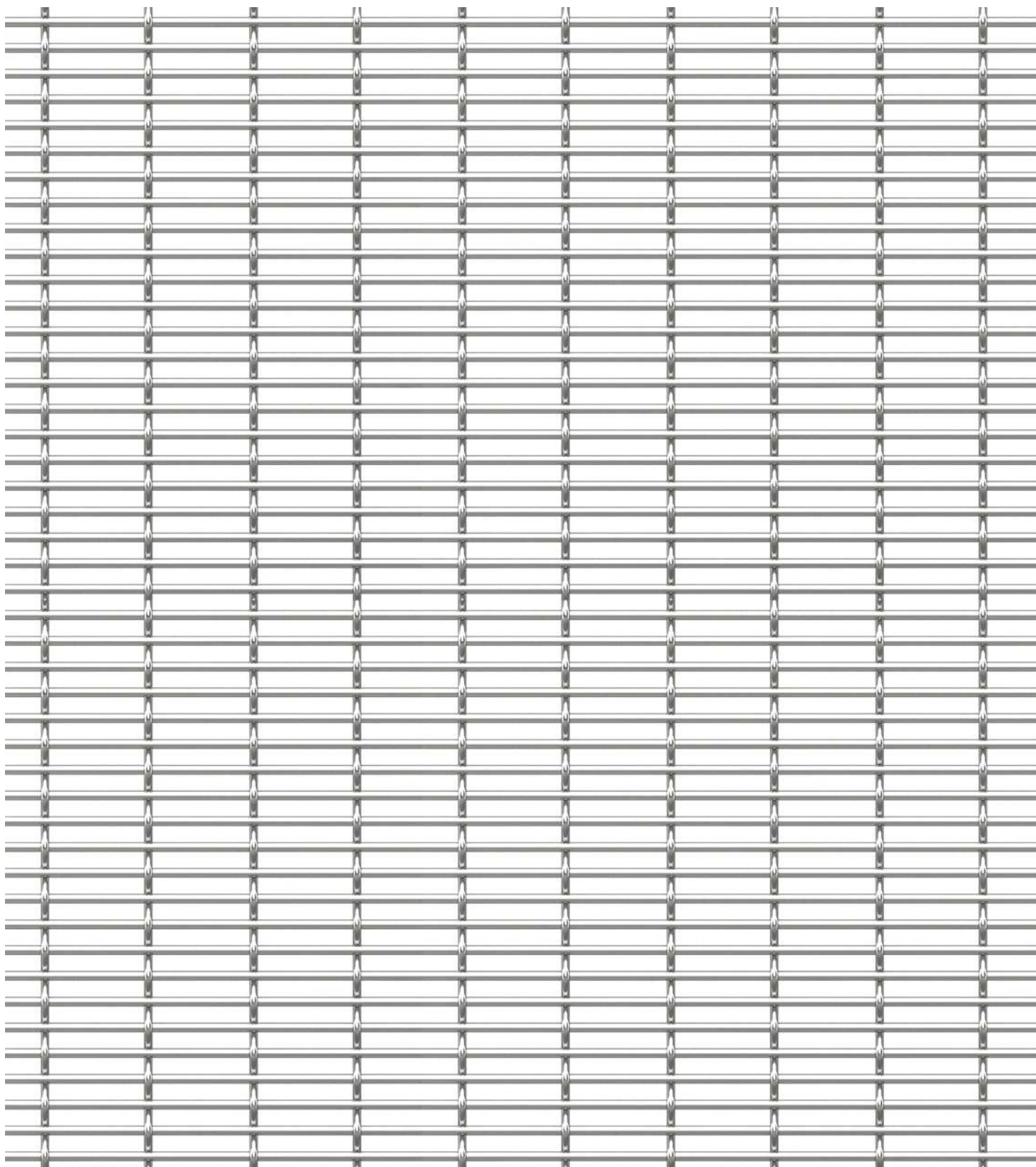
ATTACHMENT SYSTEMS
SA-4000
SA-4500

the inox in color 

ARCHITECTURAL & DECORATIVE
STAINLESS STEEL

www.theinoxincolor.com
info@theinoxincolor.com

Tel (+34) 93 876 01 15
Fax (+34) 93 876 00 73



STICK-400.2

Sample shown at full scale.
Measurements are approximate values.
Specifications subject to change.

MATERIAL · STAINLESS STEEL
MESH TYPE · RIGID
OPEN AREA · 40 %
WEIGHT · 7 kg/m²
ROD DIAM. · 2 mm
WEFT WIRE PITCH · 4 mm
ROD PITCH · 20 mm

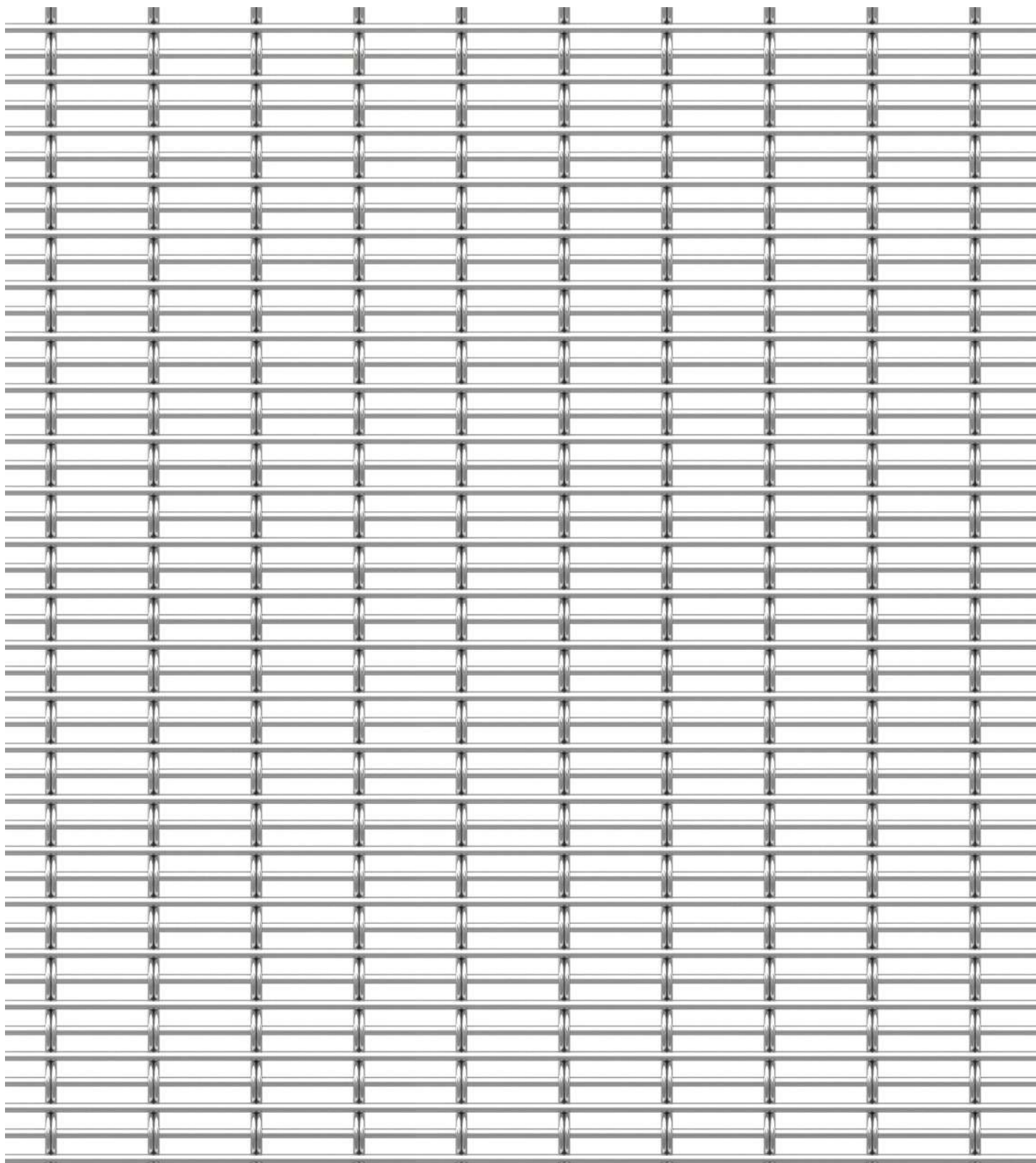
ATTACHMENT SYSTEMS
SA-4000
SA-4500

the inox in color 

ARCHITECTURAL & DECORATIVE
STAINLESS STEEL

www.theinoxincolor.com
info@theinoxincolor.com

Tel (+34) 93 876 01 15
Fax (+34) 93 876 00 73



STICK-400

Sample shown at full scale.
Measurements are approximate values.
Specifications subject to change.

MATERIAL · STAINLESS STEEL
MESH TYPE · RIGID
OPEN AREA · 40 %
WEIGHT · 7,22 kg/m²
ROD DIAM. · 2 x 1 mm
WEFT WIRE PITCH · 4 mm
ROD PITCH · 20 mm

ATTACHMENT SYSTEMS
SA-4000
SA-4500

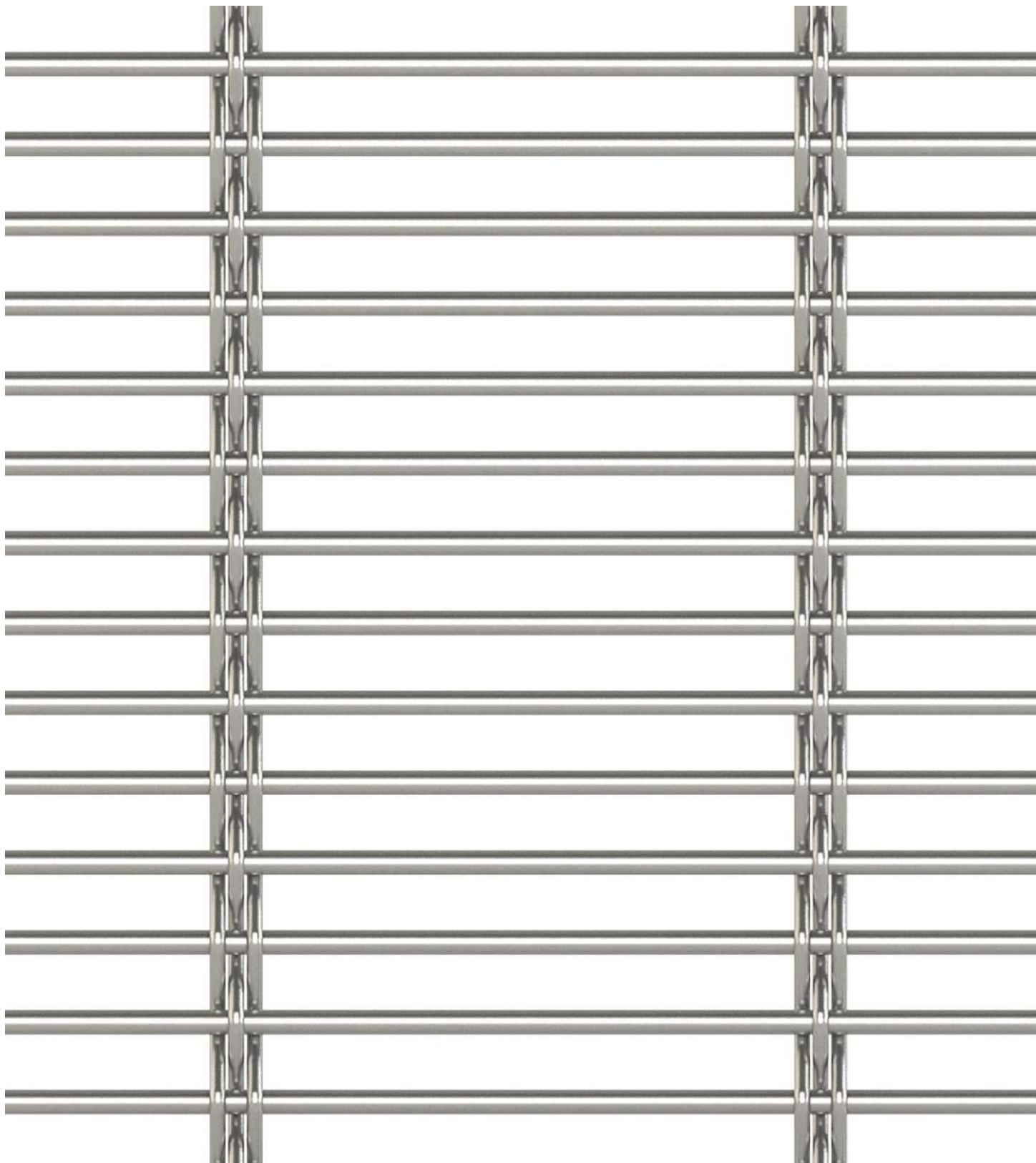
the inox in color

ARCHITECTURAL & DECORATIVE
STAINLESS STEEL

www.theinoxincolor.com
info@theinoxincolor.com

Tel (+34) 93 876 01 15
Fax (+34) 93 876 00 73





STICK-640

Sample shown at full scale.
Measurements are approximate values.
Specifications subject to change.

MATERIAL · STAINLESS STEEL
MESH TYPE · RIGID
OPEN AREA · 64 %
WEIGHT · 9,91 kg/m²
ROD DIAM. · 4 mm
ROD DIAM. · 3 x 3 mm
WEFT WIRE PITCH · 15 mm
ROD PITCH · 107 mm

ATTACHMENT SYSTEMS

SA-1500
SA-2000
SA-3500
SA-4000
SA-4500

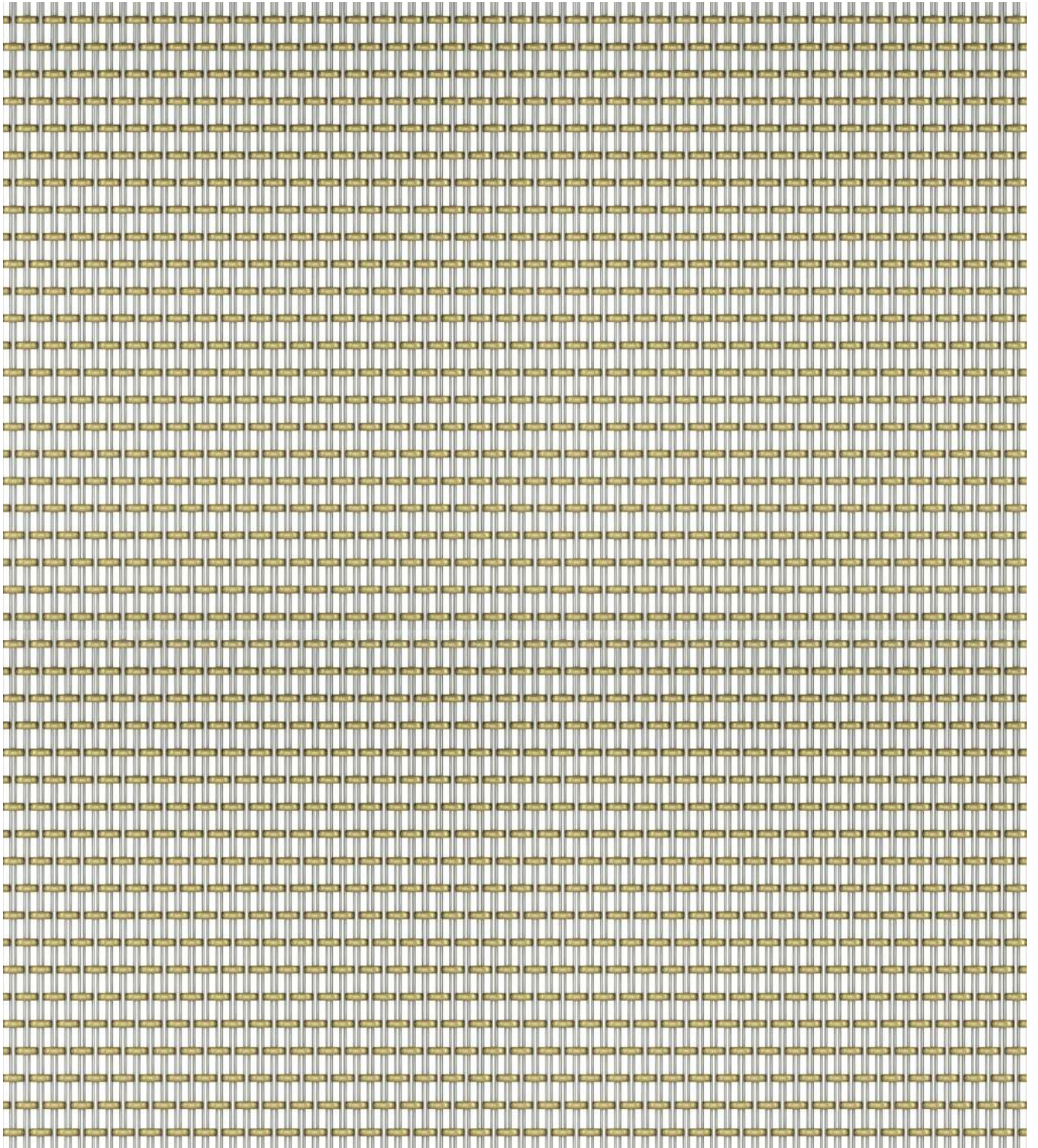
the inox in color

ARCHITECTURAL & DECORATIVE
STAINLESS STEEL

www.theinoxincolor.com
info@theinoxincolor.com

Tel (+34) 93 876 01 15
Fax (+34) 93 876 00 73





STICK-320

Sample shown at full scale.
Measurements are approximate values.
Specifications subject to change.

MATERIAL · STAINLESS STEEL
MESH TYPE · RIGID
OPEN AREA · 32 %
WEIGHT · 10,5 kg/m²
ROD DIAM. · 1 mm
WEFT WIRE PITCH · 2,5 mm
ROD PITCH · 5 mm

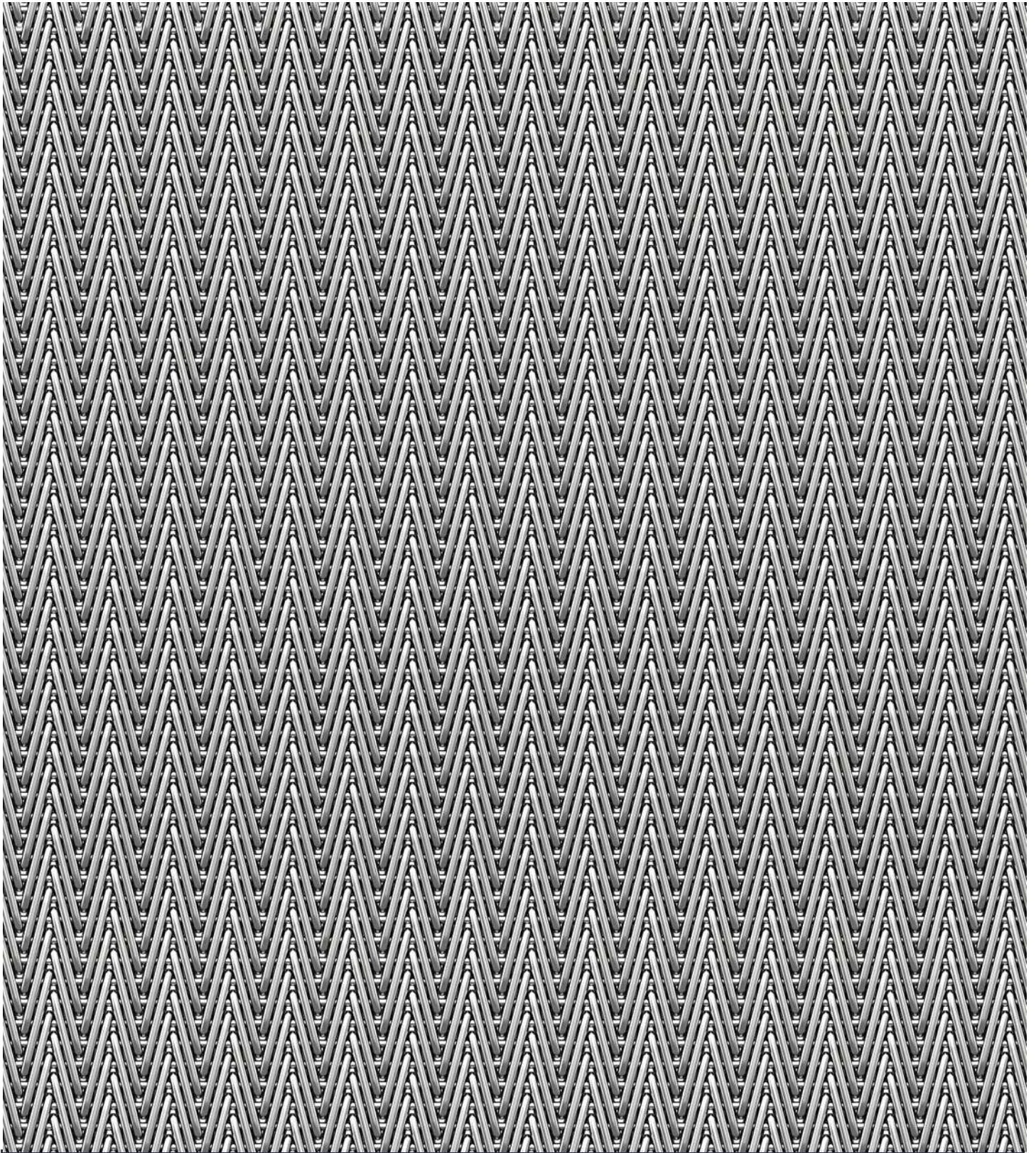
ATTACHMENT SYSTEMS
SA-4000
SA-4500

the inox in color 

ARCHITECTURAL & DECORATIVE
STAINLESS STEEL

www.theinoxincolor.com
info@theinoxincolor.com

Tel (+34) 93 876 01 15
Fax (+34) 93 876 00 73



RANGE-B

Sample shown at full scale.
Measurements are approximate values.
Specifications subject to change.

MATERIAL · STAINLESS STEEL
MESH TYPE · FLEXIBLE
OPEN AREA · 5 %
WEIGHT · 22,7 kg/m²
ROD DIAM. · 1,5 mm
SPIRAL DIAM. · 1,5 mm
WEFT WIRE PITCH · 4 mm
SPIRAL PITCH · 11 mm

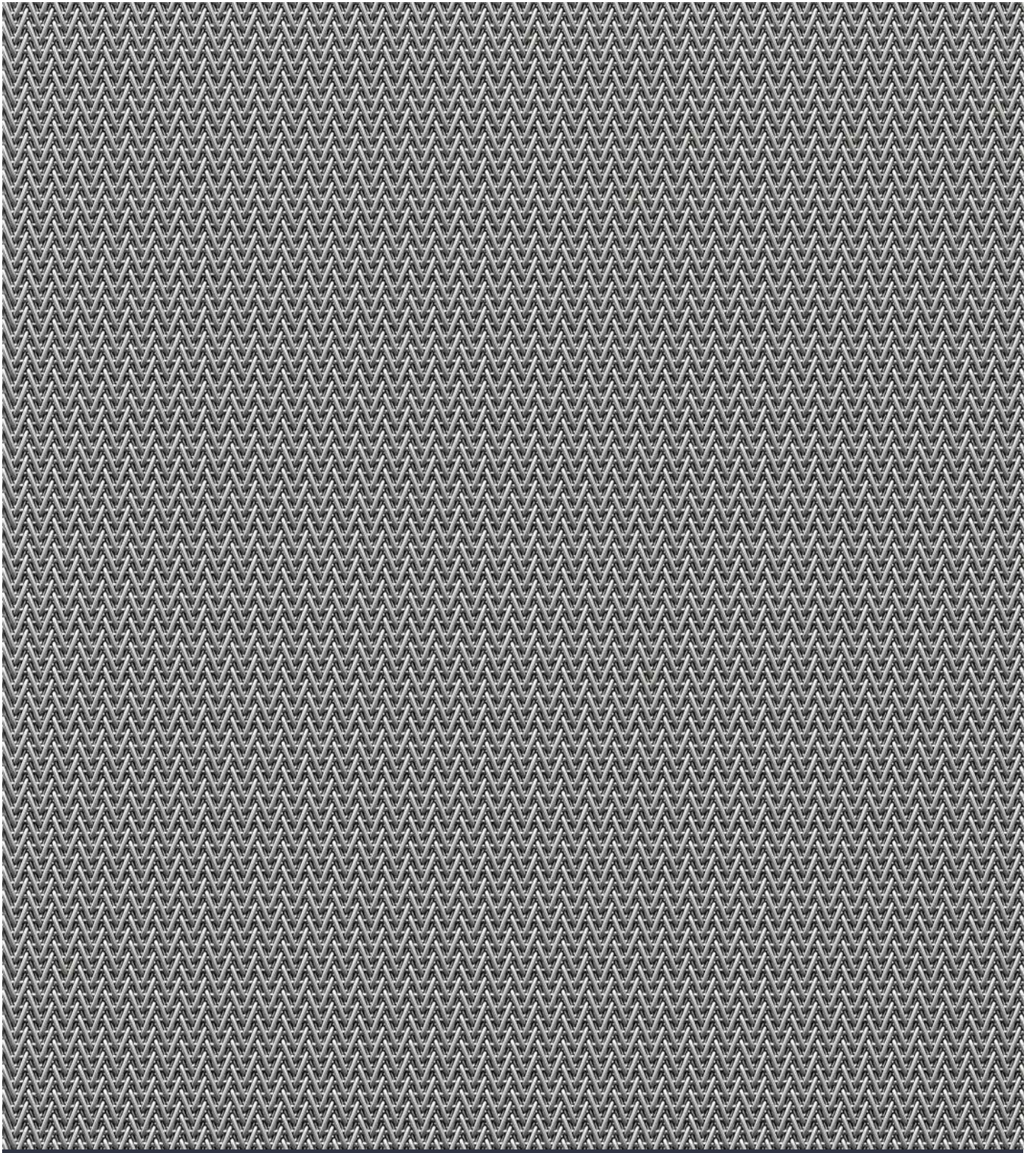
ATTACHMENT SYSTEMS
SA-4000
SA-4500

the inox in color 

ARCHITECTURAL & DECORATIVE
STAINLESS STEEL

www.theinoxincolor.com
info@theinoxincolor.com

Tel (+34) 93 876 01 15
Fax (+34) 93 876 00 73



RANGE-S

Sample shown at full scale.
Measurements are approximate values.
Specifications subject to change.

MATERIAL · STAINLESS STEEL
MESH TYPE · FLEXIBLE
OPEN AREA · 5 %
WEIGHT · 16,2 kg/m²
ROD DIAM. · 0,5 mm
SPIRAL DIAM. · 1 mm
WEFT WIRE PITCH · 2,5 mm
SPIRAL PITCH · 4 mm

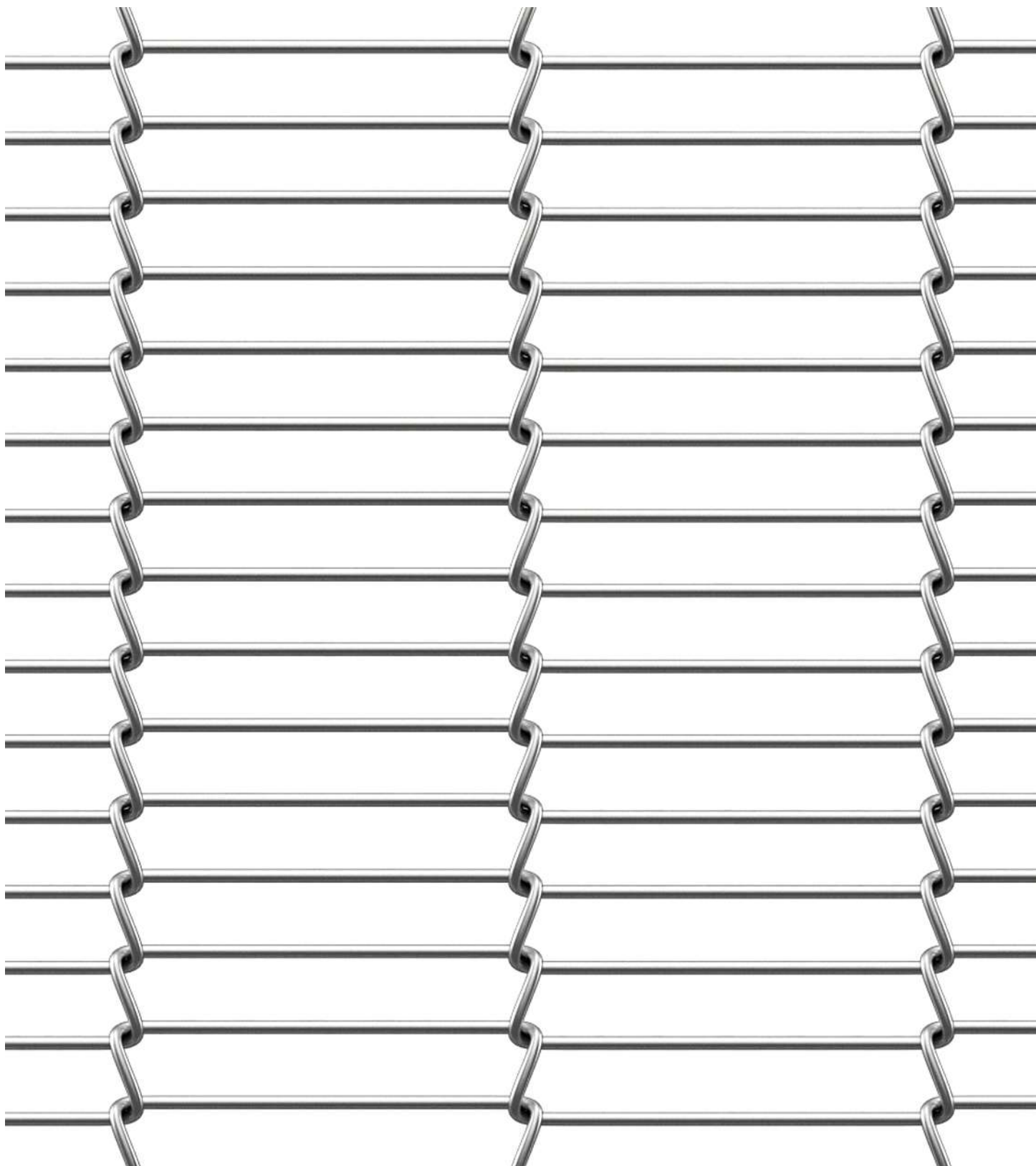
ATTACHMENT SYSTEMS
SA-4000
SA-4500

the inox in color 

ARCHITECTURAL & DECORATIVE
STAINLESS STEEL

www.theinoxincolor.com
info@theinoxincolor.com

Tel (+34) 93 876 01 15
Fax (+34) 93 876 00 73



TRANS-B

Sample shown at full scale.
Measurements are approximate values.
Specifications subject to change.

MATERIAL · STAINLESS STEEL
MESH TYPE · FLEXIBLE
OPEN AREA · 76 %
WEIGHT · 3,66 kg/m²
HORIZONTAL ROD PITCH · 77 mm
VERTICAL ROD PITCH · 13 mm

ATTACHMENT SYSTEMS
SA-2000
SA-3500

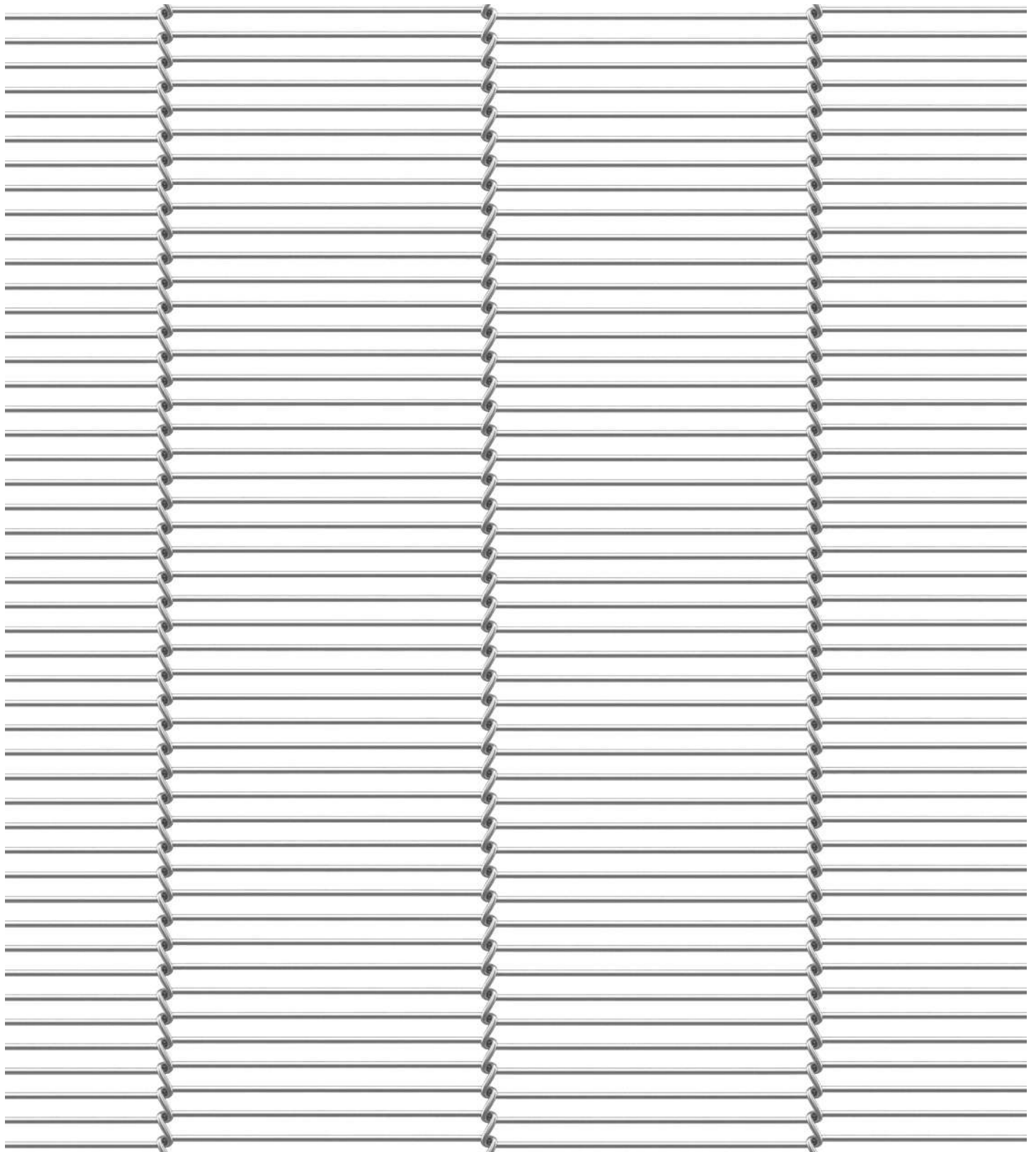
the inox in color

ARCHITECTURAL & DECORATIVE
STAINLESS STEEL

www.theinoxincolor.com
info@theinoxincolor.com

Tel (+34) 93 876 01 15
Fax (+34) 93 876 00 73





TRANS-S

Sample shown at full scale.
Measurements are approximate values.
Specifications subject to change.

MATERIAL · STAINLESS STEEL
MESH TYPE · FLEXIBLE
OPEN AREA · 73 %
WEIGHT · 2,68 kg/m²
HORIZONTAL ROD PITCH · 57 mm
VERTICAL ROD PITCH · 5,5 mm

ATTACHMENT SYSTEMS
SA-2000
SA-3500

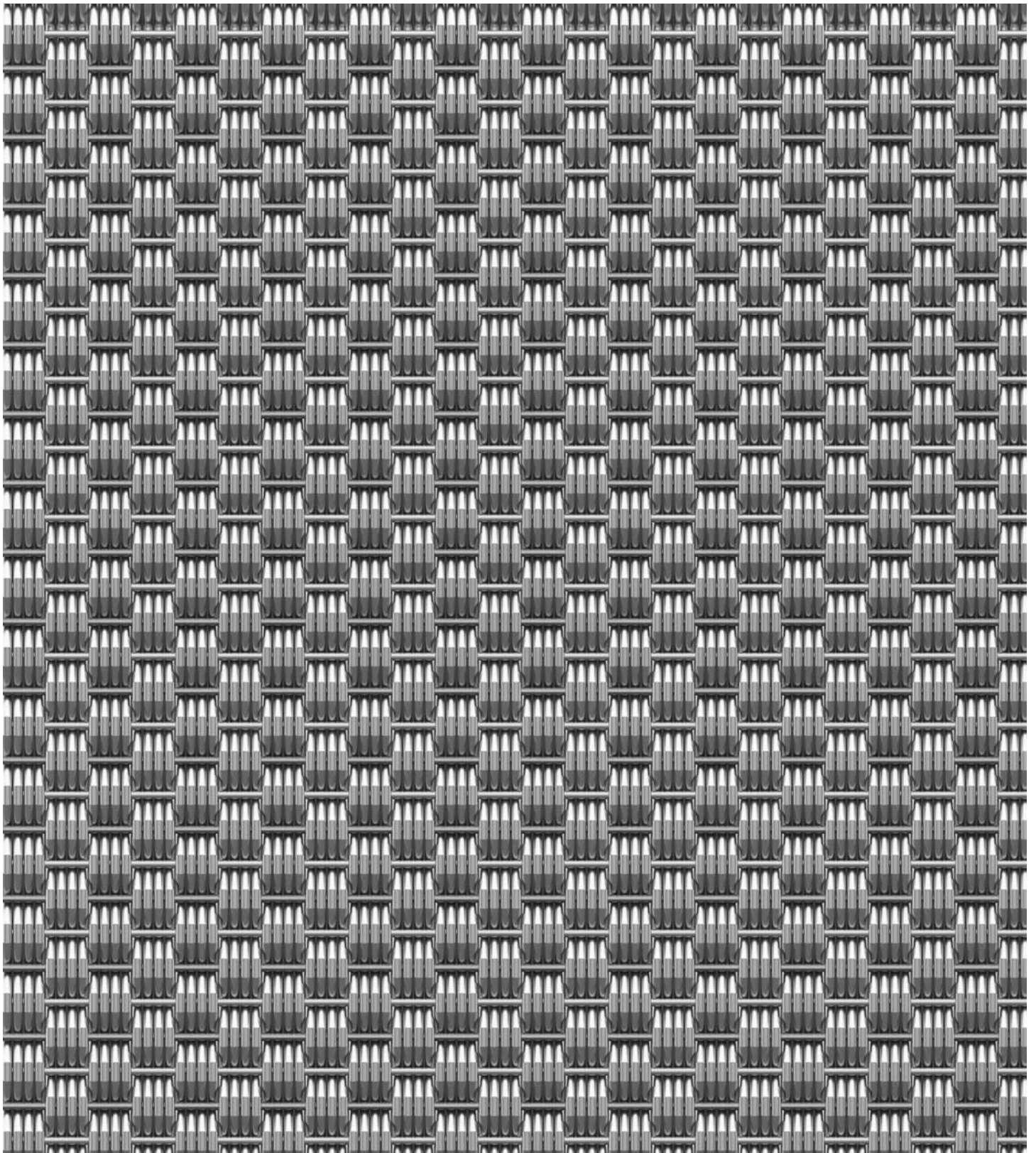
the inox in color

ARCHITECTURAL & DECORATIVE
STAINLESS STEEL

www.theinoxincolor.com
info@theinoxincolor.com

Tel (+34) 93 876 01 15
Fax (+34) 93 876 00 73





RIGID-S1

Sample shown at full scale.
Measurements are approximate values.
Specifications subject to change.

MATERIAL · STAINLESS STEEL
MESH TYPE · RIGID
OPEN AREA · 0 %
WEIGHT · 16,5 kg/m²
ROD DIAM. · 1,5 mm
ROD DIAM. · 4 x 2 mm
WEFT WIRE PITCH · 13 mm
ROD PITCH · 16 mm

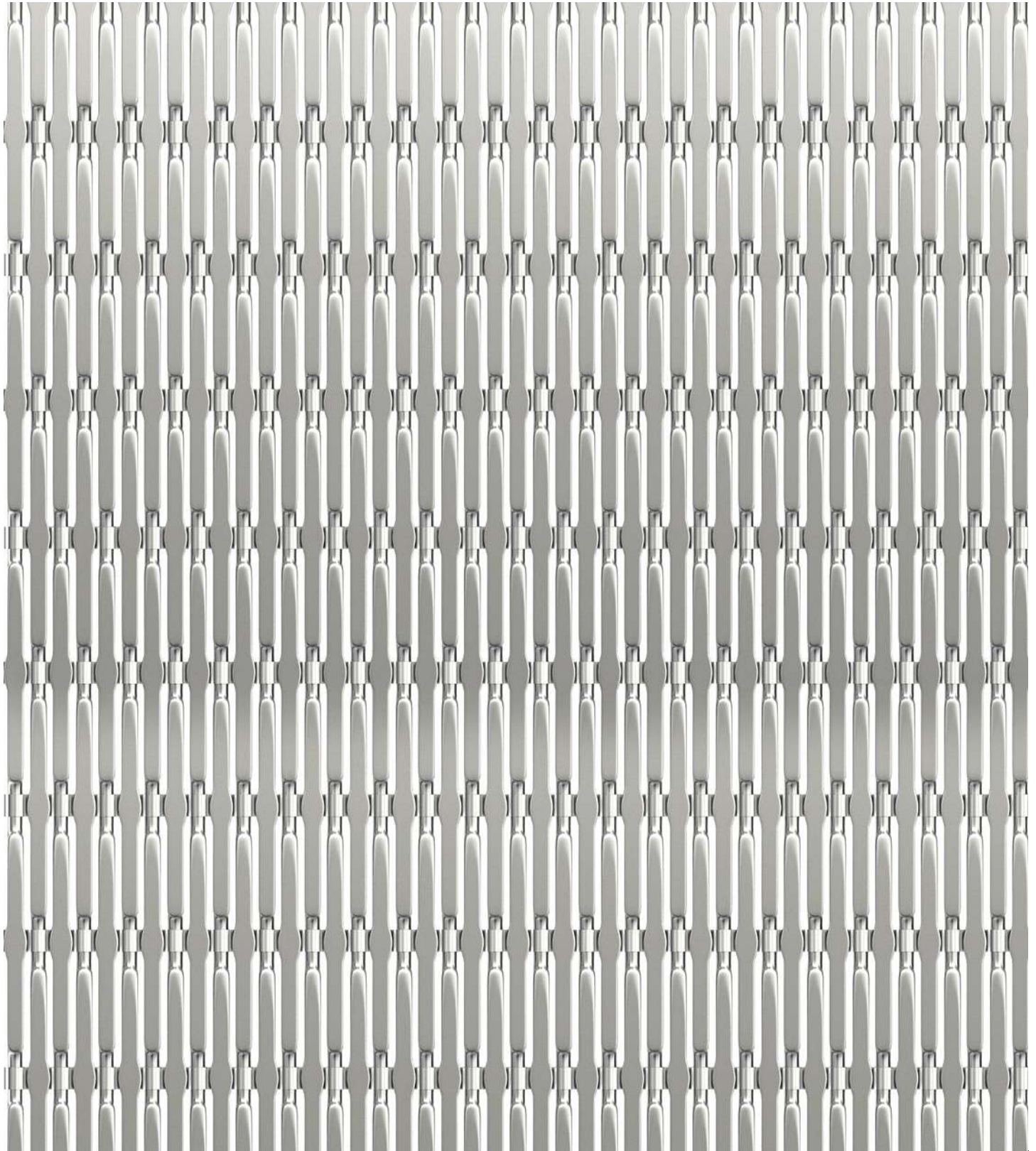
ATTACHMENT SYSTEMS
SA-4000
SA-4500

the inox in color 

ARCHITECTURAL & DECORATIVE
STAINLESS STEEL

www.theinoxincolor.com
info@theinoxincolor.com

Tel (+34) 93 876 01 15
Fax (+34) 93 876 00 73



RIGID-S2

Sample shown at full scale.
Measurements are approximate values.
Specifications subject to change.

MATERIAL · STAINLESS STEEL
MESH TYPE · RIGID
OPEN AREA · 0 %
WEIGHT · 19,7 kg/m²

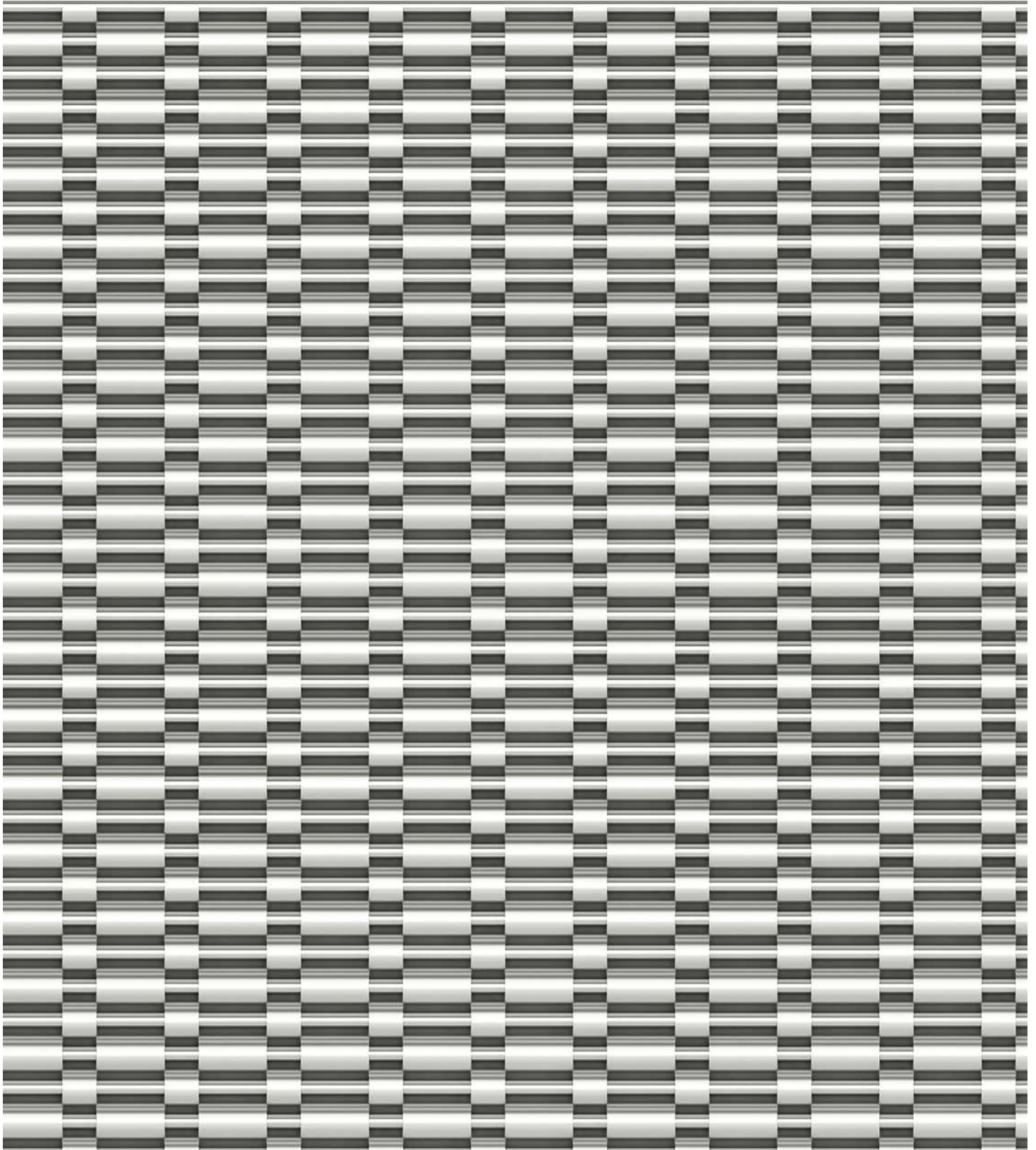
ATTACHMENT SYSTEMS
SA-4000
SA-4500

the inox in color

ARCHITECTURAL & DECORATIVE
STAINLESS STEEL

www.theinoxincolor.com
info@theinoxincolor.com

Tel (+34) 93 876 01 15
Fax (+34) 93 876 00 73



RIGID-S3

Sample shown at full scale.
Measurements are approximate values.
Specifications subject to change.

MATERIAL · STAINLESS STEEL
MESH TYPE · RIGID
OPEN AREA · 0 %
WEIGHT · 21,5 kg/m²

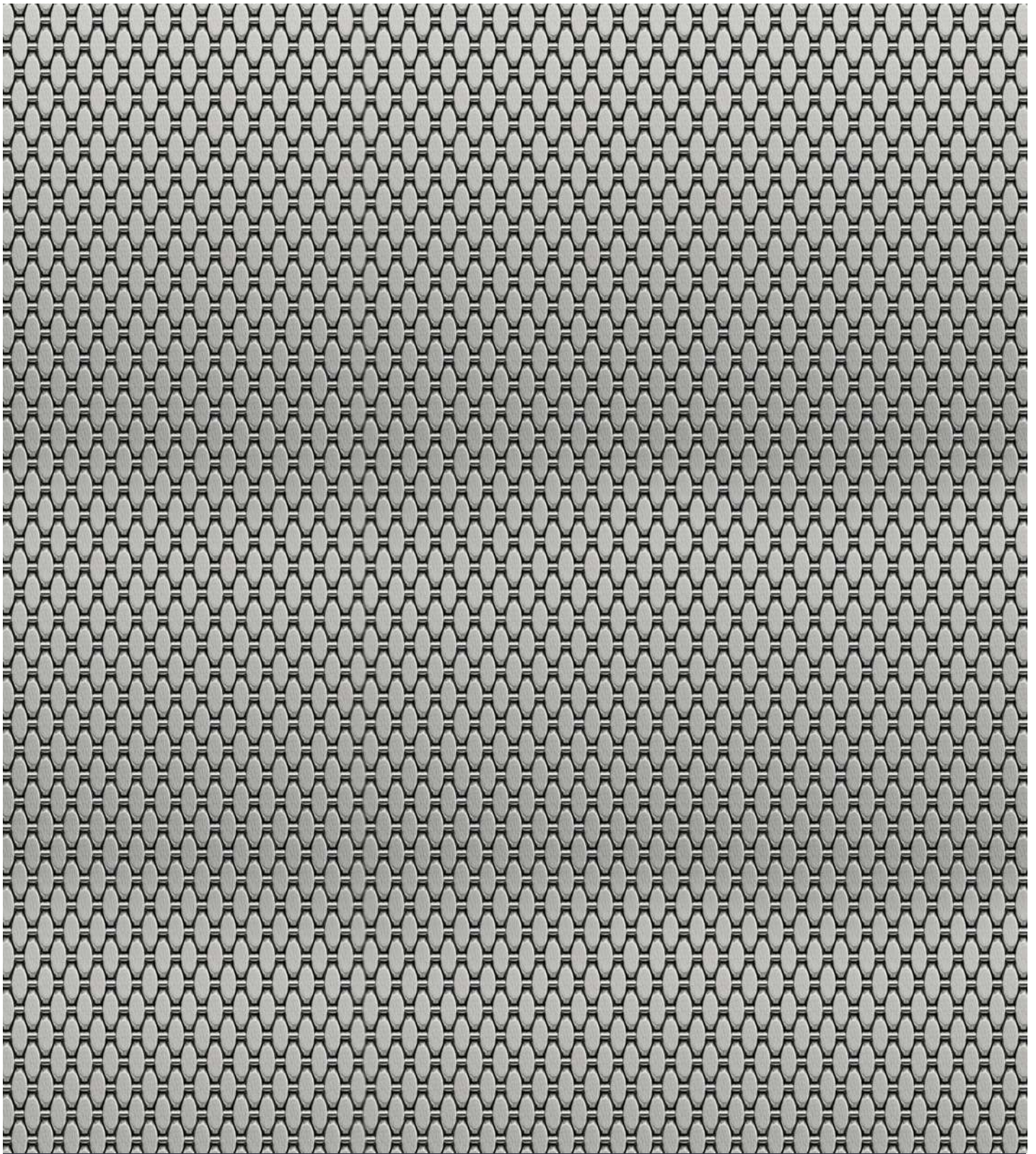
ATTACHMENT SYSTEMS
SA-4000
SA-4500

the inox in color 

ARCHITECTURAL & DECORATIVE
STAINLESS STEEL

www.theinoxincolor.com
info@theinoxincolor.com

Tel (+34) 93 876 01 15
Fax (+34) 93 876 00 73



RIGID-S4

Sample shown at full scale.
Measurements are approximate values.
Specifications subject to change.

MATERIAL · STAINLESS STEEL
MESH TYPE · RIGID
OPEN AREA · 0 %
WEIGHT · 17,43 kg/m²
ROD DIAM. · 1 mm

ATTACHMENT SYSTEMS
SA-4000
SA-4500

the inox in color 

ARCHITECTURAL & DECORATIVE
STAINLESS STEEL

www.theinoxincolor.com
info@theinoxincolor.com

Tel (+34) 93 876 01 15
Fax (+34) 93 876 00 73



the inox in color

ARCHITECTURAL & DECORATIVE
STAINLESS STEEL

ATTACHMENT SYSTEMS



Attachment Systems

THE INOX IN COLOR®

INTRODUCTION

The Inox in Color offers a wide range of Attachment Systems. They are proposed according to the specific characteristics of each Project and its application.

All Attachment Systems must be sized based upon your project requirements. Our Technical Department can work with you adapting our attachment ideas in your projects or developing new attachment techniques to meet your specific needs

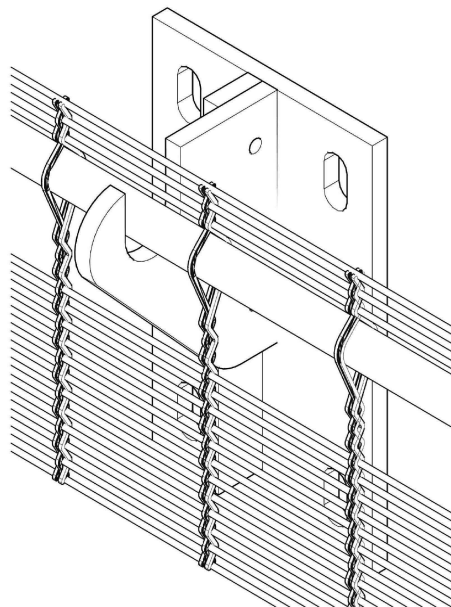
Each Architectural Mesh can fit with different fixing systems in order to create different spaces for Architecture, Engineering, Interior Design...

Our Technical Department will try to advise and solve doubts about your project's designs. Consult our qualified specialists for further detailing assistance.

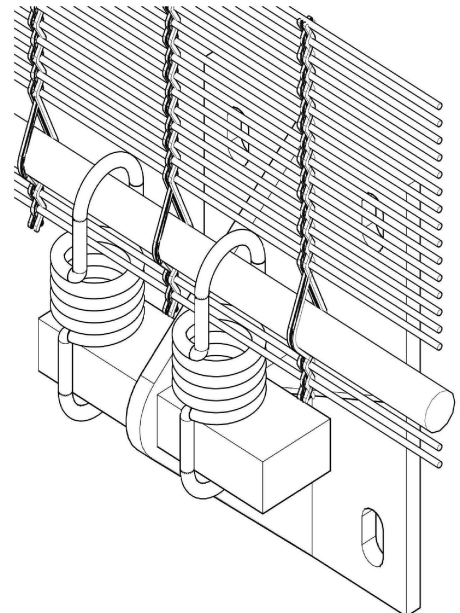
Attachment Systems

THE INOX IN COLOR®

SA-1000



Top Attachment



Bottom Attachment

Mesh compatibility

SPIRA-670	WEBER-400
SPIRA-590	WEBER-005
SPIRA-370	TEX-S1 / TEX-S2
MITHRIL	KBEL-320
WEBER-620	TRANS-S
SPIRA-4025	TRANS-B

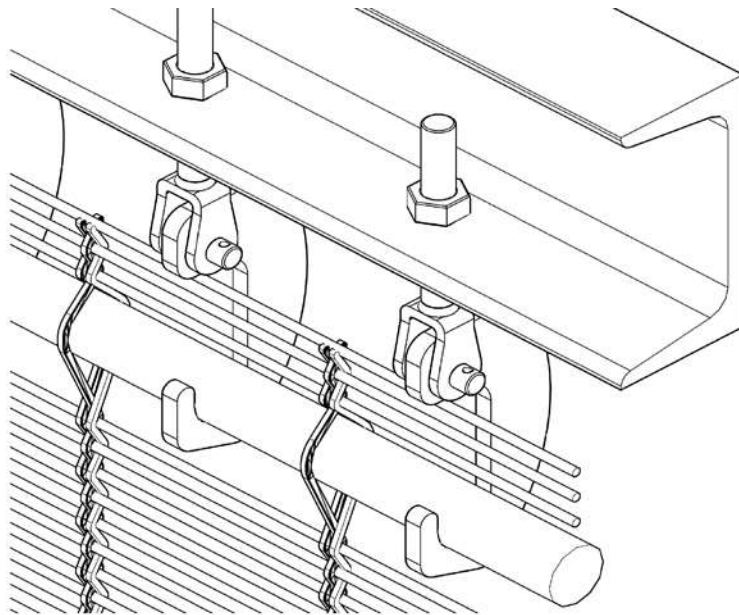


They are not to scale. All Attachment Systems must be sized based upon your project requirements. Please consult our Technical Department for further detailing assistance.

Attachment Systems

THE INOX IN COLOR®

SA-1500



Mesh compatibility

WEBER-620

WEBER-400

STICK-640



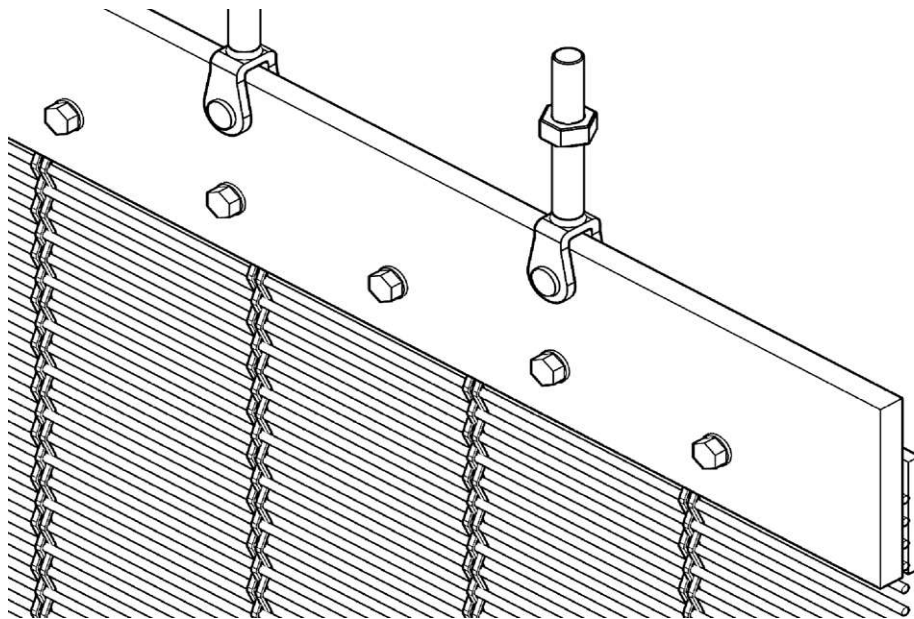
They are not to scale. All Attachment Systems must be sized based upon your project requirements. Please consult our Technical Department for further detailing assistance.



Attachment Systems

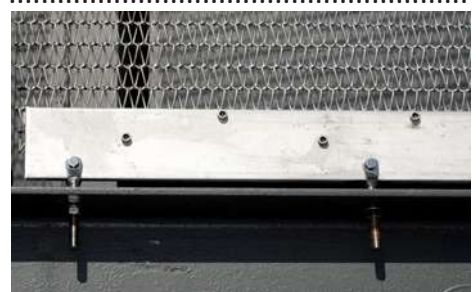
THE INOX IN COLOR®

SA-2000



Mesh compatibility

SPIRA-670	WEBER-400
SPIRA-590	WEBER-005
SPIRA-370	TEX-S1 / TEX-S2
MITHRIL	KBEL-320
WEBER-620	TRANS-S
SPIRA-4025	TRANS-B
SPIRA-4025	



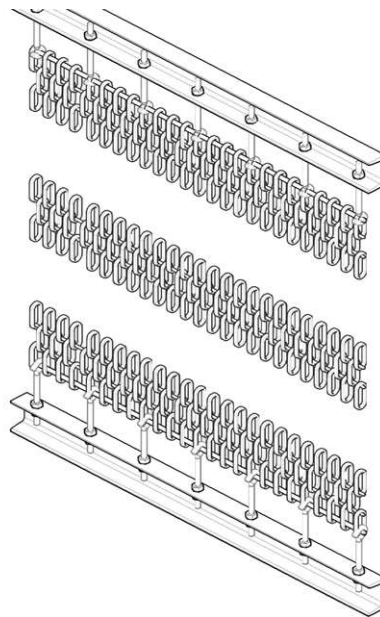
They are not to scale. All Attachment Systems must be sized based upon your project requirements. Please consult our Technical Department for further detailing assistance.



Attachment Systems

THE INOX IN COLOR®

SA-2500



Mesh compatibility

SPIRA-550
SPIRA-500
SPIRA-590
SPIRA-670
SPIRA-370
SPIRA-4025
SPIRA-8050

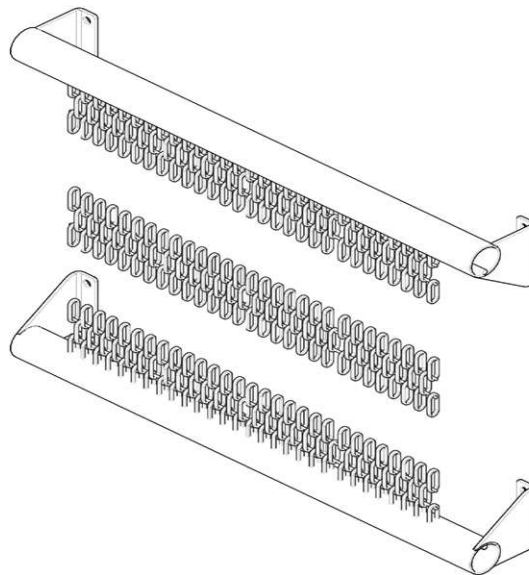


They are not to scale. All Attachment Systems must be sized based upon your project requirements.
Please consult our Technical Department for further detailing assistance.

Attachment Systems

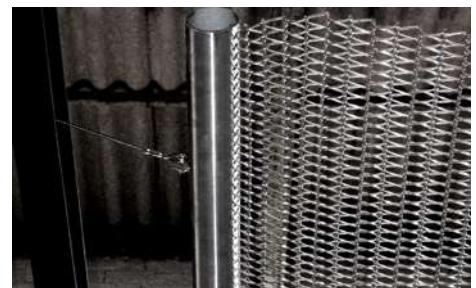
THE INOX IN COLOR®

SA-3000



Mesh compatibility

SPIRA-550
SPIRA-500
SPIRA-590
SPIRA-670
SPIRA-370
SPIRA-4025
SPIRA-8050

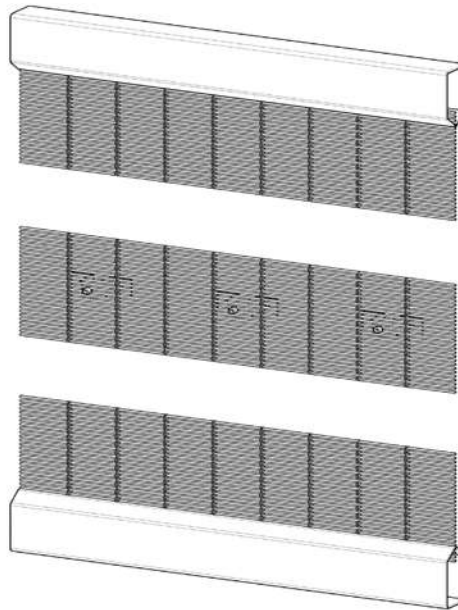


They are not to scale. All Attachment Systems must be sized based upon your project requirements.
Please consult our Technical Department for further detailing assistance.

Attachment Systems

THE INOX IN COLOR®

SA-3500



Mesh compatibility

SPIRA-670	WEBER-400
SPIRA-590	WEBER-005
SPIRA-370	TEX-S1 / TEX-S2
MITHRIL	KBEL-320
WEBER-620	TRANS-S
SPIRA-4025	TRANS-B
SPIRA-4025	

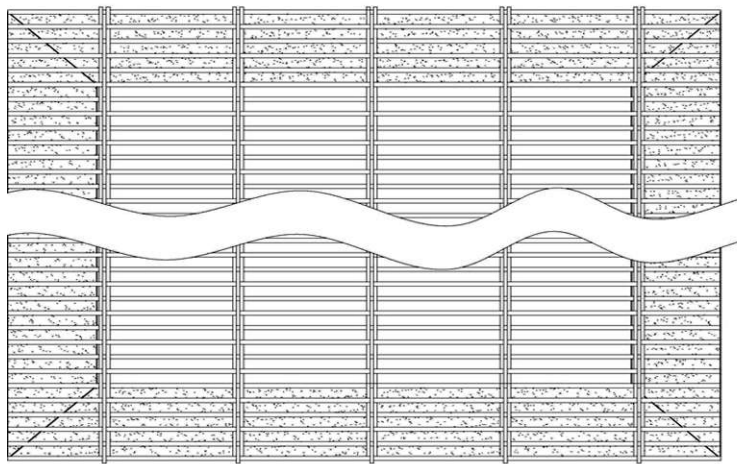


They are not to scale. All Attachment Systems must be sized based upon your project requirements.
Please consult our Technical Department for further detailing assistance.

Attachment Systems

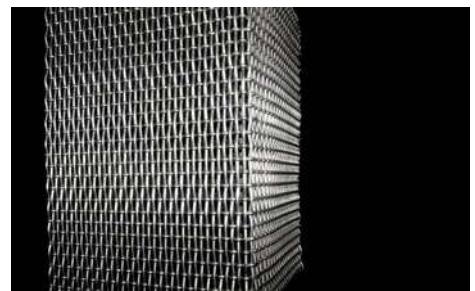
THE INOX IN COLOR®

SA-4000



Mesh compatibility

WEBER-620	RIGID-S1
WEBER-400	RIGID-S2
WEBER-005	RIGID-S3
KBEL-320	RIGID-S4
STICK-400 / 400.2	RANGE-S5
STICK-640	RANGE-B5
TEX-S1 / TEX-S2	

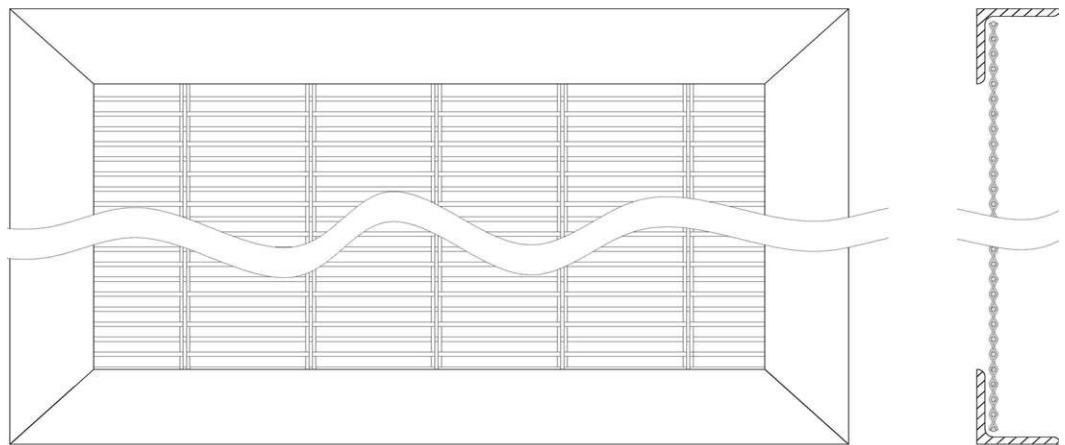


They are not to scale. All Attachment Systems must be sized based upon your project requirements. Please consult our Technical Department for further detailing assistance.

Attachment Systems

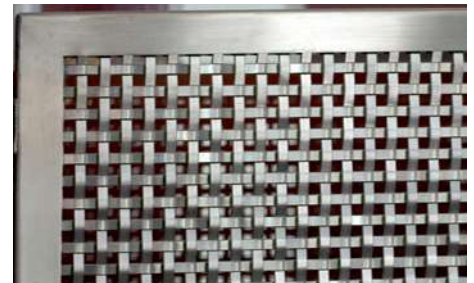
THE INOX IN COLOR®

SA-4500



Mesh compatibility

WEBER-620	RIGID-S1
WEBER-400	RIGID-S2
WEBER-005	RIGID-S3
KBEL-320	RIGID-S4
STICK-400 / 400.2	RANGE-S5
STICK-640	RANGE-B5
TEX-S1 / TEX-S2	

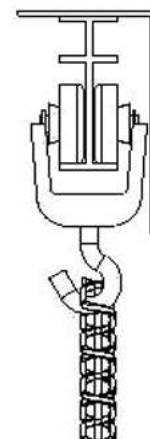
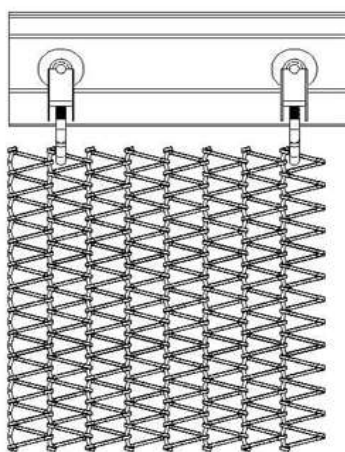


They are not to scale. All Attachment Systems must be sized based upon your project requirements. Please consult our Technical Department for further detailing assistance.

Attachment Systems

THE INOX IN COLOR®

SA-5000



Mesh compatibility

SPIRA-500	MITHRIL
SPIRA-550	TRANS-S
SPIRA-590	TRANS-B
SPIRA-670	
SPIRA-370	
SPIRA-8050	

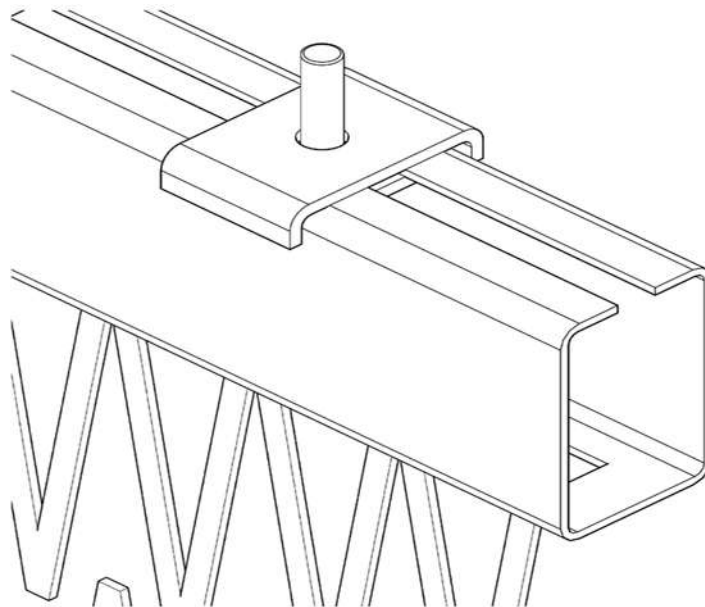


They are not to scale. All Attachment Systems must be sized based upon your project requirements.
Please consult our Technical Department for further detailing assistance.

Attachment Systems

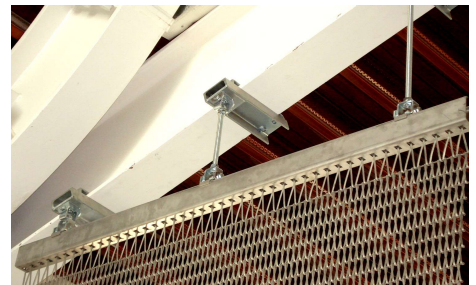
THE INOX IN COLOR®

SA-5500



Mesh compatibility

SPIRA-500	MITHRIL
SPIRA-550	TRANS-S
SPIRA-590	TRANS-B
SPIRA-670	
SPIRA-370	
SPIRA-8050	



They are not to scale. All Attachment Systems must be sized based upon your project requirements.
Please consult our Technical Department for further detailing assistance.



Attachment Systems

THE INOX IN COLOR®

Ref. MESH

Attachment Systems

	1000	1500	2000	2500	3000	3500	4000	4500	5000	5500
SPIRA-500				●	●				●	●
SPIRA-550				●	●				●	●
SPIRA-590				●	●				●	●
SPIRA-670			●	●	●				●	
SPIRA-370			●						●	
SPIRA-MIX			●	●	●				●	
SPIRA-8050				●	●				●	●
MITHRIL			●						●	
WEBER-650	●	●	●			●	●	●		
WEBER-620	●	●	●			●	●	●		
WEBER-400	●	●	●			●	●	●		
WEBER-440	●	●	●			●	●	●		
WEBER-510	●	●	●			●	●	●		
WEBER-005			●				●	●		
TEX-S1			●				●	●		
TEX-S2			●				●	●		
KBEL-210			●				●	●		
KBEL-320			●				●	●		
CHESS-100							●	●		
CHESS-250							●	●		
STICK-400/400.2							●	●		
STICK-640		●	●			●	●	●		
STICK-320							●	●		
RANGE-B / S							●	●		
TRANS-B / S			●			●				
RIGID-S1							●	●		
RIGID-S2							●	●		
RIGID-S3							●	●		
RIGID-S4							●	●		