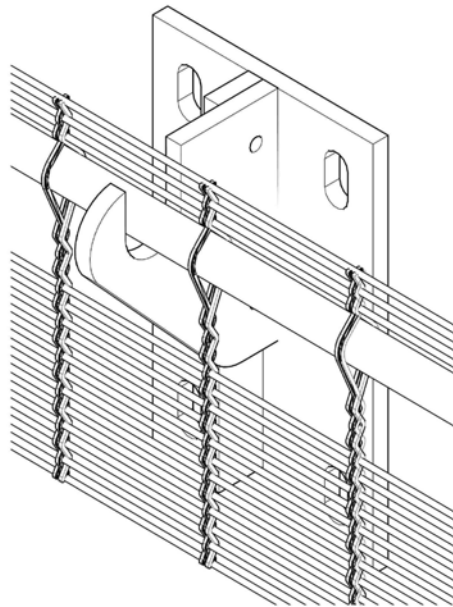


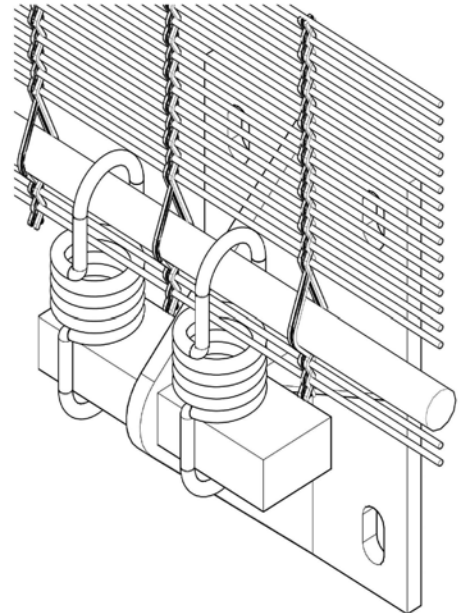
Attachment Systems

THE INOX IN COLOR®

SA-1000



Top Attachment



Bottom Attachment

Mesh compatibility

SPIRA-670	WEBER-400
SPIRA-590	WEBER-005
SPIRA-370	TEX-S1 / TEX-S2
MITHRIL	KBEL-320
WEBER-620	TRANS-S
SPIRA-4025	TRANS-B



They are not to scale. All Attachment Systems must be sized based upon your project requirements. Please consult our Technical Department for further detailing assistance.



Attachment Systems

THE INOX IN COLOR®

Ref. MESH

Attachment Systems

SPIRA-500				●	●				●	●
SPIRA-550				●	●				●	●
SPIRA-590				●	●				●	●
SPIRA-670			●	●	●				●	
SPIRA-370			●						●	
SPIRA-MIX			●	●	●				●	
SPIRA-8050				●	●				●	●
MITHRIL			●						●	
WEBER-650	●	●	●			●	●	●		
WEBER-620	●	●	●			●	●	●		
WEBER-400	●	●	●			●	●	●		
WEBER-440	●	●	●			●	●	●		
WEBER-510	●	●	●			●	●	●		
WEBER-005			●				●	●		
TEX-S1			●				●	●		
TEX-S2			●				●	●		
KBEL-210			●				●	●		
KBEL-320			●				●	●		
CHESS-100							●	●		
CHESS-250							●	●		
STICK-400/400.2							●	●		
STICK-640		●	●			●	●	●		
STICK-320							●	●		
RANGE-B / S							●	●		
TRANS-B / S			●			●				
RIGID-S1							●	●		
RIGID-S2							●	●		
RIGID-S3							●	●		
RIGID-S4							●	●		